

USER MANUAL



MICROWAVE OVEN

MG20L-BK

MG20L-WA

IMPORTANT SAFETY INSTRUCTIONS.
READ CAREFULLY AND KEEP FOR FUTURE REFERENCE
Household use only

01-15
English

16-30
Čeština

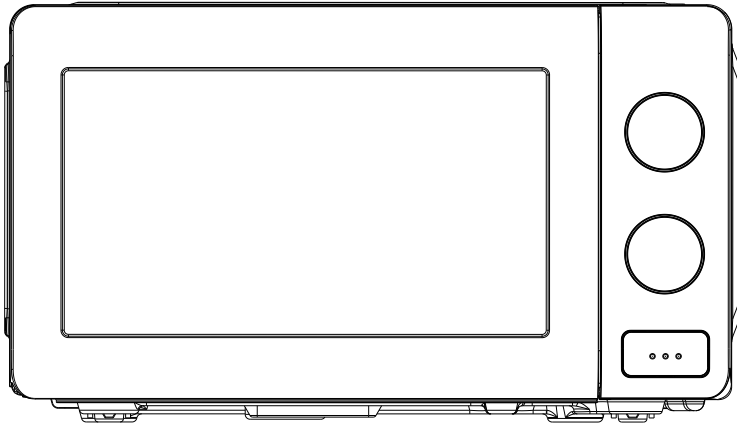
31-46
Polski

47-62
Română

63- 77
Slovenčina

78-92
Українська

SAVE THESE INSTRUCTIONS



IMPORTANT SAFEGUARDS

WARNING: If the door or door seals are damaged, the oven must not be operated until it has been repaired by a trained person.

WARNING: It is hazardous for anyone other than a trained person to carry out any service or repair operation, which involves the removal of any cover, which gives protection against exposure to microwave energy. **WARNING:** Liquids or other food must not be heated in sealed containers since they are liable to explode.

1. Only use utensils that are suitable for use in microwave ovens.
2. Metallic containers for food and beverages are not allowed during microwave cooking.
3. When heating food in plastic or paper containers, keep an eye on the oven due to the possibility of ignition.
4. The microwave oven is intended for heating food and beverages. Drying of food or clothing and heating of warming pads, slippers, sponges, damp cloth and similar may lead to risk of injury, ignition or fire.
5. If smoke is observed, switch off or unplug the appliance and

keep the door closed in order to stifle any flames microwave heating of beverages can result in delayed eruptive boiling, therefore care has to be taken when handling the container.

6. The contents of feeding bottles and baby food jars are to be stirred or shaken and the temperature is to be checked before consumption, in order to avoid burns.
7. Eggs in their shell and whole hard-boiled eggs shall not be heated in microwave ovens since they may explode, even after microwave heating has ended.
8. Failure to maintain the oven in a clean condition could lead to deterioration of the surface that could adversely affect the life of the appliance and possibly result in a hazardous situation.
9. The appliance must not be placed in a cabinet.
10. Care should be taken not to displace the turntable when removing containers from the appliance.
11. The appliance shall not be cleaned with a steam cleaner.
12. The appliance must not be installed equal or higher than 900 mm above the floor. Minimum height of free space necessary above the top surface of the oven: 100mm.

Warning: When the appliance is operated in the combination mode, children should only use the oven under adult supervision due to the temperatures generated.



CAUTION: HOT SURFACE

13. If the supply cord is damaged, it must be replaced by the manufacturer or its service agent or a similarly qualified person in order to avoid a hazard.
14. This appliance can be used by children aged from 8 years and above and persons with reduced physical, sensory or mental capabilities or lack of experience and knowledge if they have been given supervision or instruction concerning use of the appliance in a safe way and understand the

hazards involved.

15. Children shall not play with the appliance.
16. Cleaning and user maintenance shall not be made by children without supervision.
17. This appliance is intended to be used in household and similar applications such as:
 - staff kitchen areas in shops, offices and others working environments;
 - farm houses;
 - by clients in hotels, motels and other residential type environments;
 - bed and breakfast type environments. The appliances are not intended to be operated by means of an external timer or separate remote-control system
18. Do not directly put cold water into the glass plate after use. It needs to place the glass plate for at least 20 minutes, and then put it into the water to avoid cracking.
19. Group 2 Class B appliance

Group 2 ISM equipment: group 2 contains all ISM equipment in which radio-frequency energy is intentionally generated and/or used in the form of electromagnetic radiation for the treatment of material, and EDM and arc welding equipment.

Class B equipment is equipment suitable for use in domestic establishments and in establishments directly connected to a low voltage power supply network which supplies buildings used for domestic purposes.
20. This product internal light source LED light on < 60lm.
21. "To be in compliance EN 61000-3-11, the product shall be connected only to a supply of the system impedance: $|Z_{sys}| = 0.34685$ ohms or less. Before connect the product to public power network, please consult your local power supply authority to ensure the power network meet above requirement."

22. After Plug in or complete of operating, the appliance go into off mode, off mode: $\leq 0.3W$.

INSTALLATION

1. Take out all the packing. If there is a safe film over the oven, tear it off before use. Check carefully for damage. If any, immediately notify dealer or send to the manufacturer's service center.
2. Microwave ovens must be placed under dry and non-corrosiveness environments, kept away from heat and humidity, such as gas burner or water tank.
3. To ensure sufficient ventilation, the distance of the back of microwave to the wall should be at least 10 cm, the side to the wall should be at least 5 cm, the free distance above the top surface at least 20 cm. the distance of the microwave to the ground should be at least 85 cm.
4. The position of the oven shall be such that it is far from the TV, Radio or antenna as picture disturbance, or noise may occur. The distance should be more than 5m.
5. The appliance must be positioned so that the plug is accessible, and must ensure a good grounding in case leakage, ground loop can be formed to avoid electric shock.
6. The microwave oven must be operated with the door closed.
7. The microwave oven must not be placed in a cabinet. The microwave oven is intended to be used freestanding.
8. As there is manufacturing residue or oil remained on the oven cavity or heat element, it usually would smell the odor, even a slight smoke, It is normal case and would not occur after several times use, keep the door or window open to ensure good ventilation. So it is strongly recommended to place a cup of water in the cavity, setting at high power and operate for several times.

CLEANING

MICROWAVE OVEN CARE

CAUTION

The oven should be cleaned regularly and any food deposits removed.

WARNING

- a. Remove the power cord from the wall outlet before cleaning. After cooling products. Don't immerse the appliance in water or other fluids when cleaning.
- b. Failure to maintain the oven in a clean condition could lead to deterioration of the surface that could adversely affect the life of the appliance and possibly result in a hazardous situation.
- c. Never use hard detergent, gasoline, abrasive powder or metal brush to clean any part of the appliance.
- d. Do not remove the waveguide cover.
- e. When the microwave oven has been used for a long time, there may be some strange odors exist in oven, following 3 methods can get rid of them:
 - 1) Place several lemon slices in a cup, then heat with high micro power for 2-3 min.
 - 2) Place a cup of red tea in oven, then heat with high micro power.
 - 3) Put some orange peel into oven, and then heat them with high micro power for 1 minute.
- f. When the product is not used, it should be placed in dry and ventilated areas as well as possible.

WARNING

Details how to clean surfaces in contact with food:

After use wipe the waveguide cover with a damp cloth, followed by dry cloth to remove any food splashes and grease. Built-up grease may overheat and begin to cause smoke or catch fire.

TIPS FOR CLEANING

Details for cleaning door seals, cavity and adjacent parts:

Exterior:

Wipe the enclosure with a dampened soft cloth

Door:

Using a dampened soft cloth, wipe clean the door and window
Wipe the door seals and adjacent parts to remove any spill or spatter

Wipe the control panel with a slightly dampened soft cloth

Interior walls:

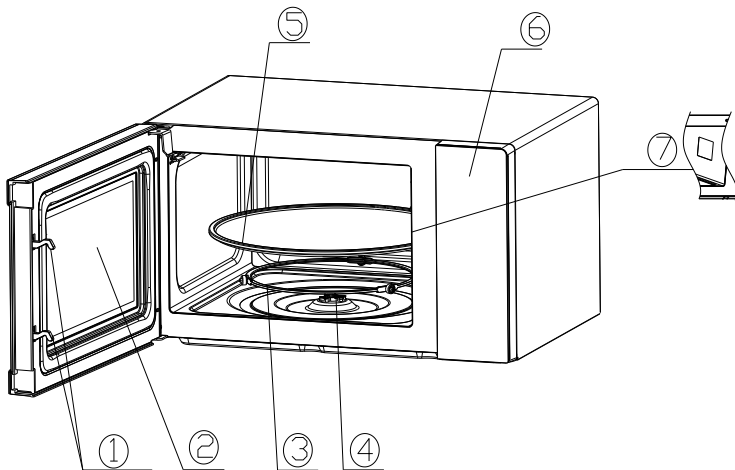
Wipe clean the interior surfaces with a dampened soft cloth

Wipe clean the waveguide cover to remove any food splashed

Turntable / Rotation ring / Rotation axis:

Wash with mild soap water.

Rinse with clean water and allow drying thoroughly.

PRODUCT INSTRUCTION**1)Door lock**

Microwave oven door must be properly closed in order for it to operate.

2)Viewing window

Allow user to see the cooking status

3) Rotating ring

The glass turntable sits on its wheels; it supports the turntable and helps it to balance when rotating

4) Rotating axis

The glass turntable sits on the axis; the motor underneath it drives the turntable to rotate

5) Turntable

The food sits on the turntable, its rotation during operation helps to cook food evenly

CAUTION

- Place the rotating ring first
- Fit the turntable onto the rotating axis and make sure that it is geared in properly

6) Control panel

See below in details (the control panel is subject to change without prior notice)

7) Grill rack

Use to place the roasting food.

8) Waveguide cover

It is inside the microwave oven, next to the wall of control panel.

WARNING

Never remove the waveguide cover

OPERATION OF CONTROL PANEL

<p>The diagram illustrates the control panel layout. It features two rotary dials and a button. The top dial is marked with numbers 0, 1, 2, 3, 4, 5, 10, 15, 20, 25, and 30. The bottom dial is marked with icons: a defrost symbol (snowflake and drop), a low flame icon, a medium flame icon, a medium-high flame icon, a high flame icon, a grill icon (wavy lines), and three combi icons labeled 1, 2, and 3. A button with a flame icon is located at the bottom of the panel.</p>		Power
		Time
		Low
		Defrost
		Medium
		Medium High
		High
		Grill
		Combi 1
	Combi 2	
	Combi 3	

1. CLOCK SETTING

The maximum setting is 30 minutes, there is a ringtone at the end, and the knob returns to the “0” position.

2. FUNCTION/POWER KNOB

1.	Low	18% power output. Keep warm.
2.	Defrost	36% power output. Defrost.
3.	Medium	58% power output. Slow cooking.
4.	Medium High	81% power output. Normal cooking.
5.	High	100% power output. Quick cooking.
6.	Grill	Only heat element is energized.
7.	Combi 1	30% operation time the magnetron is energized and 70% time heat element is energized. It is suitable for roasting chops, sandwich and etc.
8.	Combi 2	49% operation time the magnetron is energized and 51% time heat element is energized. It is suitable for broiling small chicken and meat.
9.	Combi 3	67% operation time the magnetron is energized and 33% time heat element is energized. It is suitable for broiling large chicken, duck and etc.

3. Food defrosting time advice

No.	Weight (g)	Defrost time
1	250g	About 4 minutes
2	500g	About 8 minutes
3	750g	About 12 minutes

OPERATION

1) Connect the cord

-Before connecting the cord, make sure the timer is set to "0" position.

- Do not block the ventilation.

2) Place the food on the glass turntable and close the door

- Food must be contained in a utensil.

- Do not operate the microwave oven without load, otherwise it will cause damage to the microwave oven.

3) Select the desired microwave power level

4) Set the timer

If the desired time is less than 2 minutes, turn the microwave power knob to over 3 minutes position and then turn back to the desired time setting.

5) Once the desired time is set, the cooking begins. If pausing in midway is needed, just open the door at any time, and close it to resume operation.

6) When it times out and cooking ends, the microwave oven produces a bell ring, the inside lamp will also be automatically turned off.

If food is removed before time out, make sure to set back the timer to "0" position, this avoids the microwave oven from operating in empty load.

7) It is recommended to wear gloves when removing the cooked food from oven and be careful do not touch the wall of cavity.

⚠ CAUTION

Heating food fast, generally only 2 to 3 minutes, please control in 5 minutes. Please pay attention to the cooking condition of the food at any time and adjust it according to your taste preference. Avoid overheating. When heating porridge, congee, should first stir evenly, and then covered with plastic film (leave corners for ventilation) or with a perforated lid heating.

At mid-point to defrosting time, please open the door to turn the food, so that the defrosting effect is more uniform.

UTENSILS GUIDELINE

It is strongly recommended to use the containers which are suitable and safe for microwave cooking. Generally speaking, the containers which are made of heat-resistant ceramic, glass or plastic are suitable for microwave cooking. Never use the metal containers for microwave cooking and combination cooking as spark is likely to occur. You can take the reference of below table:

Material of container	Microwave	Grill	Combi	Notes
Heat-resistant ceramic	Yes	Yes	Yes	Never use the ceramics which are decorated with metal rim or glazed
Heat-resistant plastic	Yes	No	No	Can not be used for long time microwave cooking
Heat-resistant glass	Yes	Yes	Yes	

Plastic film	Yes	No	No	It should not be used when cooking meat or chops as the over-temperature may do damage to the film
Grill rack	No	Yes	Yes	The grill rack can only be used in grill and combination mode.
Metal container	No	No	No	It should not be used in microwave oven. Microwave can not penetrate through metal.
Lacquer	No	No	No	Poor heat-resistant. Can not be used for High-temperature cooking
Bamboo wood and paper	No	No	No	Poor heat-resistant. Can not be used for High-temperature cooking

COOKING TIPS

The following factors may affect the cooking result:

Food arrangement

Place thicker areas towards outside of dish, the thinner part towards the center and spread it evenly. Do not overlap if possible.

Cooking time length

Start cooking with a short time setting, evaluate it after it times out and extend it according to the actual need. Over cooking may result in smoke and burns.

Cooking food evenly

Food such as chicken, hamburger or steak should be turned once during cooking.

Depending on the type of food, if applicable, stir it from outside to

center of dish once or twice during cooking

Allow standing time

After cooking times out, leave the food in the oven for an adequate length of time, this allows it to complete its cooking cycle and cooling it down in a gradual manner

Whether the food is done

Color and hardness of food help to determine if it is done, these include:

- Steam coming out from all parts of food, not just the edge
- Joints of poultry can be moved easily
- Pork or poultry shows no signs of blood
- Fish is opaque and can be sliced easily with a fork

Browning dish

When using a browning dish or self-heating container, always place a heat-resistant insulator such as a porcelain plate under it to prevent damage to the turntable and rotating ring.

Microwave safe plastic wrap

When cooking food with high fat content, do not allow the plastic wrap come into contact with food as it may melt

Microwave safe plastic cookware

Some microwave safe plastic cookware might not be suitable for cooking foods with high fat and sugar content. Also, the preheating time specified in the dish instruction manual must not be exceeded.

MAINTENANCE

SERVICING

Please check the following before calling for services.

1. Place one cup of water (approx. 150ml) in a glass measure in the oven and close the door securely. Oven lamp should go off if the door is closed properly. Let the oven work for 1 min.

2. Does the oven lamp light?
3. Does the cooling fan work?
(Put your hand over the rear ventilation openings.)
4. Does the turntable rotate?
(The turntable can rotate clockwise or counter clockwise. This is quite normal.)
5. Is the water inside the oven hot?

If “NO” is the answer to any of the above questions, please check your wall socket and the fuse in your meter box.

If both the wall socket and the fuse are functioning properly, **CONTACT YOUR NEAREST SERVICE CENTER APPROVED.**

Correct disposal of this product



This marking indicates that this product should not be disposed with other household wastes throughout the EU. To prevent possible harm to the environment or human health from uncontrolled waste disposal, recycle it responsibly to promote the sustainable reuse of material resources. To return your used device, please use the return and collection systems or contact the retailer where the product was purchased. They can take this product for environmentally safe recycling.

LIMITED WARRANTY

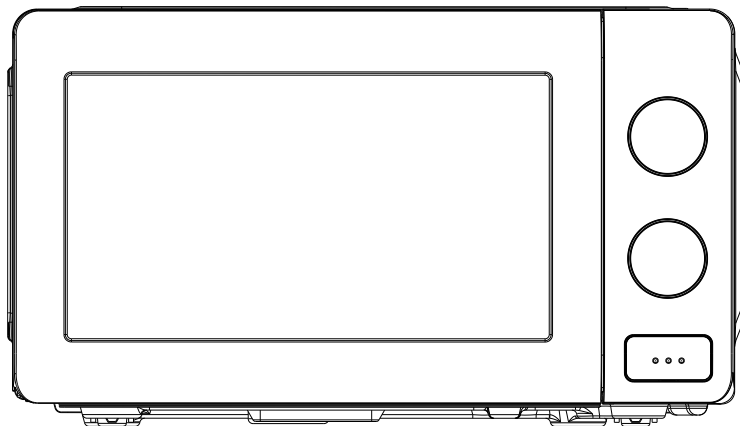
This warranty is issued for a period of 2 (Two) years, counting from the date of purchase of the Device, but not more than 5 (Five) years from the date of production. This guarantee is in addition to the constitutional rights of consumers and in no way limits them. The warranty service of the Device shall be provided only under strict observance of the rules of operation and safety requirements specified in the accompanying documentation to the Device.

You can get online support, and find other useful information on <https://service.uniondistribution.eu>



UŽIVATELSKÝ MANUÁL

ULOŽIT TYTO POKYNY



DŮLEŽITÁ OCHRANNÁ OPATŘENÍ

VAROVÁNÍ: Pokud jsou poškozena dvířka nebo těsnění dvířek, nesmí se trouba používat, dokud ji neopraví vyškolená osoba.

VAROVÁNÍ: Provádění jakýchkoli servisních nebo opravných úkonů, které zahrnují odstranění jakéhokoli krytu, který poskytuje ochranu před působením mikrovlnné energie, je pro jinou než vyškolenou osobu nebezpečné. **VAROVÁNÍ:** Kapaliny nebo jiné potraviny se nesmí ohřívat v uzavřených nádobách, protože hrozí jejich výbuch.

1. Používejte pouze nádobí, které je vhodné pro použití v mikrovlnné troubě.
2. Kovové nádoby na potraviny a nápoje nejsou při mikrovlnném vaření povoleny.
3. Při ohřívání potravin v plastových nebo papírových nádobách sledujte troubu kvůli možnosti vznícení.
4. Mikrovlnná trouba je určena k ohřevu potravin a nápojů. Sušení

potravin nebo oděvů a ohřívání nahřívacích polštářků, pantoflí, houbiček, vlhkých látek a podobně může vést k riziku zranění, vznícení nebo požáru.

5. Pokud se objeví kouř, vypněte nebo odpojte spotřebič ze sítě a nechte zavřená dvířka, abyste udusili případné plameny

Mikrovlnný ohřev nápojů může vést ke zpožděnému eruptivnímu varu, proto je třeba dbát opatrnosti při manipulaci s nádobou.

6. Obsah lahví na krmění a sklenic s dětskou výživou je třeba před konzumací zamíchat nebo protřepat a zkontrolovat teplotu, aby nedošlo k popálení.

7. Vejce ve skořápce a celá vejce uvařená natvrdo se nesmí ohřívát v mikrovlnných troubách, protože mohou explodovat, a to i po ukončení mikrovlnného ohřevu.

8. Neudržování trouby v čistém stavu může vést ke zhoršení povrchu, které může nepříznivě ovlivnit životnost spotřebiče a případně vést k nebezpečným situacím.

9. Spotřebič nesmí být umístěn ve skříni.

10. Při vyjímání nádob ze spotřebiče je třeba dbát na to, aby nedošlo k posunutí otočného talíře.

11. Spotřebič se nesmí čistit parním čističem.

12. Spotřebič nesmí být instalován ve výšce rovné nebo vyšší než 900 mm nad podlahou. Nutná minimální výška volného prostoru nad horním povrchem trouby: 100 mm.

Varování: Při provozu spotřebiče v kombinovaném režimu by děti měly troubu používat pouze pod dohledem dospělých, a to kvůli teplotám, které při ní vznikají.



POZOR: HORKÝ POVRCH

13. Pokud je přívodní kabel poškozen, musí jej vyměnit výrobce nebo jeho servisní zástupce nebo podobně kvalifikovaná osoba, aby se předešlo nebezpečí.

14. Tento spotřebič mohou používat děti od 8 let a starší a osoby

se sníženými fyzickými, smyslovými nebo duševními schopnostmi nebo s nedostatkem zkušeností a znalostí, pokud jim byl poskytnut dohled nebo byly poučeny o používání spotřebiče bezpečným způsobem a rozumí souvisejícím nebezpečím.

15. Děti si se spotřebičem nesmí hrát.

16. Čištění a uživatelskou údržbu nesmí provádět děti bez dozoru.

17. Tento spotřebič je určen k použití v domácnosti a podobných aplikacích, jako jsou:

- kuchyňky pro zaměstnance v obchodech, kancelářích a jiných pracovních prostředích;

- statky;

- klienty v hotelech, motelech a jiných prostředích rezidenčního typu;

- prostředí typu nocleh se snídaní. Spotřebiče nejsou určeny k ovládní pomocí externího časovače nebo samostatného systému dálkového ovládní.

18. Po použití nevkládejte do skleněné desky přímo studenou vodu. Je třeba skleněnou desku umístit alespoň na 20 minut a poté ji vložit do vody, aby nedošlo k prasknutí.

19. Spotřebič skupiny 2 třídy B

Zařízení ISM skupiny 2: skupina 2 obsahuje všechna zařízení ISM, v nichž se záměrně vytváří a/nebo používá radiofrekvenční energie ve formě elektromagnetického záření pro úpravu materiálu, a zařízení pro elektroerozivní obrábění a obloukové svařování.

Zařízení třídy B jsou zařízení vhodná pro použití v domácnostech a v zařízeních přímo připojených k síti nízkého napětí, která zásobuje budovy používané pro domácí účely.

20. Tento výrobek vnitřní zdroj světla LED světlo na < 60lm.

21. "Aby byl výrobek v souladu s normou EN 61000-3-11, musí být připojen pouze k napájení s impedancí systému: $Z_{\text{sys}} = 0,40089$ ohmů nebo menší. Před připojením výrobku k veřejné elektrické síti se poraďte s místním úřadem pro zásobování

elektrickou energií, abyste se ujistili, že elektrická síť splňuje výše uvedený požadavek."

22. Po zapojení do zásuvky nebo dokončení provozu přejde spotřebič do režimu vypnutí, vypínací režim: $<0,3W$.

INSTALACE

1. Vyjměte všechny obaly. Pokud je na troubě bezpečná fólie, před použitím ji strhněte. Pečlivě zkontrolujte, zda nedošlo k poškození. Pokud se nějaké vyskytne, okamžitě informujte prodejce nebo zašlete do servisního střediska výrobce.
2. Mikrovlnná trouba musí být umístěna v suchém a nekorodujícím prostředí, mimo dosah tepla a vlhkosti, například plynového hořáku nebo vodní nádrže.
3. Pro zajištění dostatečného větrání by měla být vzdálenost zadní části mikrovlnné trouby od stěny nejméně 10 cm, boční části od stěny nejméně 5 cm, volná vzdálenost nad horním povrchem nejméně 20 cm. vzdálenost mikrovlnné trouby od země by měla být nejméně 85 cm.
4. Umístění mikrovlnné trouby musí být takové, aby byla daleko od televizoru, rádia nebo antény, protože může dojít k rušení obrazu nebo k šumu. Vzdálenost by měla být větší než 5 m.
5. Spotřebič musí být umístěn tak, aby byla přístupná zástrčka, a musí být zajištěno dobré uzemnění pro případ úniku, může vzniknout zemní smyčka, aby nedošlo k úrazu elektrickým proudem.
6. Mikrovlnná trouba musí být provozována se zavřenými dvířky.
7. Mikrovlnná trouba nesmí být umístěna ve skříni. Mikrovlnná trouba je určena k použití jako volně stojící.
8. Protože v dutině trouby nebo na topném tělese zůstávají zbytky z výroby nebo oleje, obvykle je cítit zápach, dokonce i mírný kouř. Je to normální případ a po několikanásobném použití by se nevyskytl, nechte dveře nebo okno otevřené, abyste zajistili dobré větrání. Proto se důrazně doporučuje umístit do dutiny hrnek s vodou, nastavit vysoký výkon a několikrát použít.

ČIŠTĚNÍ

PÉČE O MIKROVLNNOU TROUBU

CAUTION

Troubu je třeba pravidelně čistit a odstraňovat případné usazeniny potravin.

WARNING

- a. Před čištěním vytáhněte napájecí kabel ze zásuvky. Po ochlazení výrobků. Při čištění neponořujte spotřebič do vody nebo jiných tekutin.
- b. Neudržování trouby v čistém stavu by mohlo vést ke zhoršení povrchu, které by mohlo nepříznivě ovlivnit životnost spotřebiče a případně vést k nebezpečným situacím.
- c. K čištění žádné části spotřebiče nikdy nepoužívejte tvrdé čisticí prostředky, benzín, abrazivní prášek nebo kovový kartáč.
- d. Neodstraňujte kryt vlnovodu.
- e. Když se mikrovlnná trouba používá delší dobu, mohou se v ní vyskytovat zvláštní pachy, kterých se lze zbavit následujícími 3 způsoby:
 - 1) Vložte několik plátků citronu do šálku, poté ohřívejte vysokým mikrovlnným výkonem po dobu 2-3 min.
 - 2) Umístěte do trouby šálek červeného čaje a poté zahřívejte vysokým mikrovýkonem.
 - 3) Do trouby vložte několik pomerančových kůrek a poté je 1 minutu zahřívejte vysokým mikrovýkonem.
- f. Pokud se výrobek nepoužívá, měl by být umístěn v suchých a co nejlépe větraných prostorách.

WARNING

Podrobnosti o čištění povrchů, které přicházejí do styku s potravinami:

Po použití otřete kryt vlnovodu vlhkým hadříkem a následně suchým hadříkem, abyste odstranili případné stříkance jídla a mastnotu. Nahromaděný tuk se může přehřát a začít způsobovat kouř nebo se vznítit.

TIPY PRO ČIŠTĚNÍ

Podrobnosti o čištění těsnění dveří, dutiny a přilehlých částí:

Vnějšek: Otřete kryt navlhčeným měkkým hadříkem.

Dvířka: Vyčistěte dvířka od nečistot. Dveře a okno otřete navlhčeným měkkým hadříkem. Otřete těsnění dveří a přilehlé díly, abyste odstranili případné rozlité nebo rozstříknuté látky. Ovládací panel otřete mírně navlhčeným měkkým hadříkem.

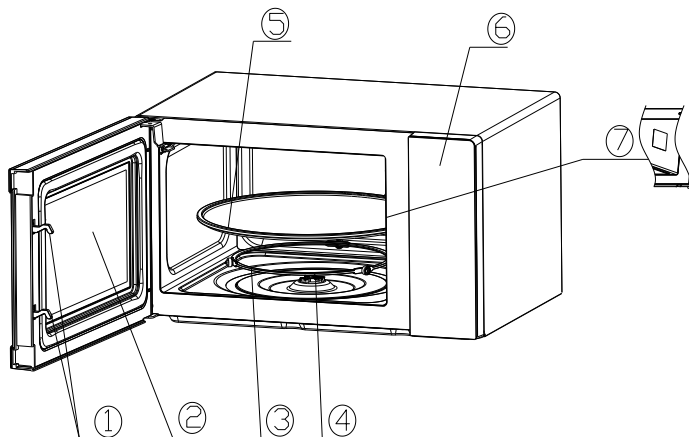
Vnitřní stěny:

Vnitřní povrchy otřete navlhčeným měkkým hadříkem. Otřete kryt vlnovodu, abyste odstranili případné rozstříknuté potraviny.

Otočný stůl / Rotační prsteneček / Osa otáčení:

Umyjte jemnou mýdlovou vodou. Opláchněte čistou vodou a nechte důkladně vyschnout

NÁVOD K POUŽITÍ VÝROBKU



1) Zámek dveří

Dvířka mikrovlnné trouby musí být řádně zavřená, aby fungovala.

2) Prohlížecké okénko

Umožňuje uživateli sledovat stav vaření

3) Otočný prstenec

Skleněný otočný talíř je umístěn na kolečkách; podpírá otočný talíř a pomáhá mu udržovat rovnováhu při otáčení.

4) Otočná osa

Skleněný otočný talíř sedí na ose; motor pod ním pohání otočný talíř při otáčení

5) Gramofon

Pokrm se nachází na otočném stole, jeho otáčení během provozu pomáhá rovnoměrnému vaření pokrmu.

CAUTION

- Nejprve umístěte otočný kroužek
- Nasadte otočný stůl na osu otáčení a ujistěte se, že je správně seřízený.

6) Ovládací panel

Podrobnosti viz níže (ovládací panel se může změnit bez předchozího upozornění).

7) Grilovací rošt

Použijte k umístění pečených potravin.

8) Kryt vlnovodu

Nachází se uvnitř mikrovlnné trouby, vedle stěny ovládacího panelu.

WARNING

Nikdy neodstraňujte kryt vlnovodu.

OVLÁDÁNÍ OVLÁDACÍHO PANELU

		Napájení
		Čas
		Nízký
		Rozmrazovat
		Střední
		Středně vysoký
		Vysoký
		Gril
		Kombi 1
	Kombi 2	
	Kombi 3	

1. NASTAVENÍ HODIN

Maximální nastavení je 30 minut, na konci se ozve vyzvánění a knoflík se vrátí do polohy "0".

2. FUNKCE MIKROVLNNÉ TROUBY

1.	Nízký	18% výstupního výkonu. Udržet v teple.
2.	Rozmrazovat	36% výstupního výkonu. Rozmrazovat.
3.	Střední	58% výstupního výkonu. Pomalé vaření.
4.	Středně vysoký	81% výstupní výkon. Normální vaření.
5.	Vysoký	100% výstupní výkon. Rychlé vaření.
6.	Gril	Pouze topné těleso je pod napětím.
7.	Kombi 1	30 % doby provozu magnetronu je napájeno a 70 % doby, kdy je nabuzen topný článek. Je vhodný pro opékání kotlet, sendvičů atd.
8.	Kombi 2	49 % doby provozu magnetronu je napájeno a 51 % doby, kdy je nabuzen topný článek. Je vhodný pro grilování malého kuřete a masa.
9.	Kombi 3	67 % doby provozu magnetronu je napájeno a 33 % doby zapnutí topného článku. Je vhodný pro grilování velkých kuřat, kachen atd.

Níže je uvedeno několik rad ohledně doby rozmrazování potravin:

No.	Hmotnost (g)	Doba rozmrazování
1	250g	Přibližně 4 minuty
2	500g	Asi 8 minut
3	750g	Asi 12 minut

OPERACE

1) Připojte kabel

-Před připojením kabelu se ujistěte, že je časovač nastaven do polohy "0".

- Neblokujte ventilaci.

2) Umístěte potraviny na skleněný otočný talíř a zavřete dvířka.

- Potraviny musí být uloženy v nádobí.

- Nepoužívejte mikrovlnnou troubu bez zátěže, jinak dojde k poškození mikrovlnné trouby.

3) Zvolte požadovanou úroveň mikrovlnného výkonu

4) Nastavte časovač

Pokud je požadovaný čas kratší než 2 minuty, otočte knoflíkem výkonu mikrovlnné trouby do polohy nad 3 minuty a poté otočte zpět na požadované nastavení času.

5) Jakmile je nastaven požadovaný čas, začne vaření. Pokud je potřeba pozastavení v polovině, stačí kdykoli otevřít dvířka a zavřít je pro obnovení provozu.

6) Po uplynutí času a ukončení vaření mikrovlnná trouba vydá zvonění, automaticky se vypne i vnitřní kontrolka.

Pokud je jídlo vyjmuto před vypršením času, ujistěte se, že jste časovač nastavili zpět do polohy "0", tím se zabrání provozu

mikrovlnné trouby při prázdné náplni.

7) Při vyjímání uvařeného jídla z trouby se doporučuje používat rukavice a dávat pozor, abyste se nedotkli stěny dutiny. Při vyndávání jídla z trouby je nutné používat rukavice.

CAUTION

Rychlý ohřev jídla, zpravidla jen 2 až 3 minuty, prosím, kontrolujte do 5 minut. Věnujte prosím pozornost stavu vaření potravin v každém okamžiku a upravte jej podle svých chuťových preferencí. Vyvarujte se přehřátí. Při ohřívání kaše, congee, by se měla nejprve rovnoměrně promíchat a poté přikrýt plastovou fólií (ponechte rohy pro větrání) nebo děrovanou ohřívací pokličkou.

V polovině doby rozmrazování otevřete dvířka, abyste potraviny otočili, a rozmrazovací účinek tak byl rovnoměrnější.

POKYNY PRO NÁČINÍ

V závislosti na způsobu vaření je nutné zvolit bezpečnou a vhodnou nádobu. Pokud není správně vybrána, ovlivní to nejen účinek vaření, ale způsobí to i poškození nádoby nebo mikrovlnné trouby. Při použití se řiďte níže uvedenou tabulkou:

Materiál nádoby	Mikrovlnná trouba	Gril	Combi	Poznámky
Tepelně odolná keramika	Ano	Ano	Ano	Nikdy nepoužívejte keramiku, která je zdobená kovovým okrajem nebo glazovaná
Tepelně odolný plast	Ano	Ne	Ne	Nelze použít pro dlouhodobé vaření v mikrovlnné troubě
Tepelně odolné sklo	Ano	Ano	Ano	

Plastická fólie	Ano	Ne	Ne	Nemělo by se používat při vaření masa nebo kotlet, protože přílišná teplota může poškodit film
Grilovací rošt	Ne	Ano	Ano	Grilovací rošt lze používat pouze v režimu grilování a kombinovaném režimu.
Kovová nádoba	Ne	Ne	Ne	Nesmí se používat v mikrovlnné troubě. Mikrovlnná trouba nemůže proniknout kovem.
Lak	Ne	Ne	Ne	Špatná tepelná odolnost. Nelze použít pro vaření při vysoké teplotě
Bambusové dřevo a papír	Ne	Ne	Ne	Špatná tepelná odolnost. Nelze použít pro vaření při vysoké teplotě

TIPY NA VAŘENÍ

Výsledek vaření mohou ovlivnit následující faktory:

Uspořádání potravin

Silnější části pokrmu umístěte směrem ven, tenčí směrem ke středu a rovnoměrně je rozprostřete. Pokud je to možné, nepřekrývejte se.

Délka vaření

Začněte vařit s nastavením krátké doby, po jejím uplynutí ji vyhodnoťte a prodlužte podle aktuální potřeby. Nadměrné vaření může mít za následek kouř a popáleniny.

Rovnoměrné vaření pokrmů

Potravinu, jako je kuře, hamburger nebo steak, je třeba během vaření jednou otočit.

V závislosti na typu jídla jej případně během vaření jednou nebo dvakrát promíchejte z vnější strany do středu pokrmu.

Ponechte čas na stání

Po uplynutí doby pečení nechte jídlo v troubě přiměřeně dlouho, což mu umožní dokončit cyklus pečení a postupné ochlazování.

Zda je jídlo hotové

Barva a tvrdost jídla pomáhají určit, zda je hotové, patří mezi ně:

- Pára vychází ze všech částí pokrmu, nejen z jeho okraje.
- Klouby drůbeže se dají snadno posunout.
- Vepřové nebo drůbeží maso nevykazuje známky krve.
- Ryby jsou neprůhledné a lze je snadno nakrájet vidličkou

Hnědý pokrm

Při použití zapékací misky nebo samoohřevné nádoby pod ni vždy umístěte tepelně odolný izolátor, například porcelánový talíř, aby nedošlo k poškození otočného talíře a otočného prstence.

Plastová fólie vhodná pro mikrovlnné trouby

Při přípravě pokrmů s vysokým obsahem tuku nedovolte, aby se plastová fólie dostala do kontaktu s jídlem, protože by se mohla roztavit.

Plastové nádoby vhodné do mikrovlnné trouby

Některé plastové nádoby vhodné do mikrovlnné trouby nemusí být vhodné pro vaření potravin s vysokým obsahem tuku a cukru.

Rovněž nesmí být překročena doba předehřevu uvedená v návodu k použití nádobí.

ÚDRŽBA

SERVIS

Před objednáním služeb zkontrolujte následující údaje.

1. Vložte do trouby jeden šálek vody (přibližně 150 ml) ve skleněné odměrce a pevně zavřete dvířka. Kontrolka trouby by měla zhasnout, pokud jsou dvířka řádně zavřená. Nechte troubu pracovat po dobu 1 min.

2. Rozsvítí se kontrolka trouby?

3. Funguje chladicí ventilátor?

(Položte ruku na zadní větrací otvory.)

4. Otáčí se otočný talíř?

(Gramofon se může otáčet ve směru nebo proti směru hodinových ručiček. To je zcela normální.)

5. Je voda uvnitř trouby horká?

Pokud je odpověď na některou z výše uvedených otázek "NE", zkontrolujte zásuvku a pojistku v elektroměrové skříňce.

Pokud zásuvka i pojistka fungují správně, **KONTAKTUJTE NEJBLIŽŠÍ PŘÍSLUŠNÉ SERVISNÍ STŘEDISKO.**

Správná likvidace tohoto výrobku



Toto označení znamená, že tento výrobek by neměl být likvidován společně s ostatními odpady z domácností v celé EU. Abyste předešli možnému poškození životního prostředí nebo lidského zdraví v důsledku nekontrolované likvidace odpadu, recyklujte jej zodpovědně a podpořte tak udržitelné opětovné využívání materiálových zdrojů. Pro vrácení použitého zařízení využijte systémy pro vrácení a sběr odpadu nebo se obraťte na prodejce, u kterého byl výrobek zakoupen. Ti mohou tento výrobek převzít k ekologicky bezpečné recyklaci.

OMEZENÁ ZÁRUKA

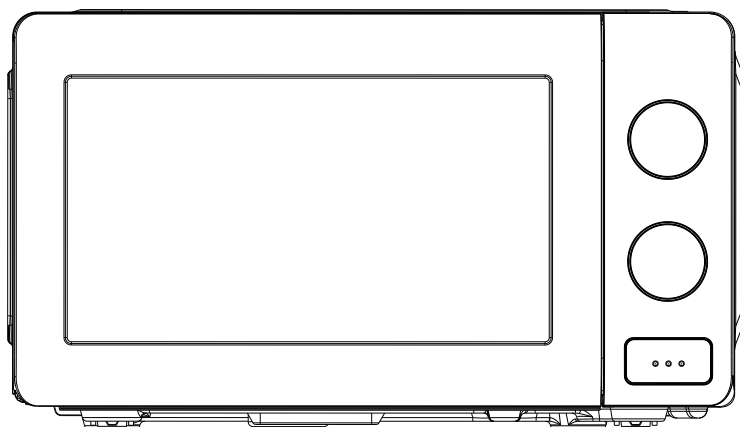
Tato záruka se poskytuje na dobu 2 (dvou) let, počítáno od data zakoupení Zařízení, nejdéle však 5 (pět) let od data výroby. Tato záruka doplňuje ústavní práva spotřebitelů a v žádném případě je neomezuje. Záruční servis Zařízení se poskytuje pouze za přísného dodržování pravidel provozu a bezpečnostních požadavků uvedených v průvodní dokumentaci k Zařízení.

Online podporu a další užitečné informace najdete na stránkách <https://service.uniondistribution.eu>.



INSTRUKCJA OBSŁUGI

ZAPISZ TE INSTRUKCJE



WAŻNE ZABEZPIECZENIA

OSTRZEŻENIE: Jeśli drzwiczki lub uszczelki drzwiczek są uszkodzone, nie wolno używać kuchenki, dopóki nie zostanie ona naprawiona przez przeszkoloną osobę.

OSTRZEŻENIE: Wykonywanie jakichkolwiek czynności serwisowych lub naprawczych, które wiążą się ze zdjęciem pokrywy chroniącej przed działaniem energii mikrofalowej, przez osoby inne niż przeszkolone jest niebezpieczne. **OSTRZEŻENIE:** Nie wolno podgrzewać płynów ani innych produktów spożywczych w szczelnie zamkniętych pojemnikach, ponieważ mogą one eksplodować.

1. Należy używać wyłącznie przyborów nadających się do użytku w kuchenkach mikrofalowych.
2. Podczas gotowania mikrofalowego nie wolno używać metalowych pojemników na żywność i napoje.
3. Podczas podgrzewania żywności w plastikowych lub

papierowych pojemnikach należy obserwować kuchenkę ze względu na możliwość zapłonu.

4. Kuchenka mikrofalowa jest przeznaczona do podgrzewania żywności i napojów. Suszenie żywności lub odzieży oraz podgrzewanie podkładek rozgrzewających, kapci, gąbek, wilgotnych szmatek itp. może prowadzić do ryzyka obrażeń, zapłonu lub pożaru.
5. W przypadku zaobserwowania dymu należy wyłączyć urządzenie lub odłączyć je od zasilania i zamknąć drzwiczki, aby zdusić płomień. Podgrzewanie napojów za pomocą mikrofal może spowodować opóźniony wybuch wrzenia, dlatego należy zachować ostrożność podczas obchodzenia się z pojemnikiem.
6. Zawartość butelek do karmienia i słoiczków z jedzeniem dla niemowląt należy wymieszać lub wstrząsnąć, a przed spożyciem należy sprawdzić temperaturę, aby uniknąć oparzeń.
7. Jajka w skorupkach i całe jajka ugotowane na twardo nie powinny być podgrzewane w kuchenkach mikrofalowych, ponieważ mogą eksplodować, nawet po zakończeniu podgrzewania mikrofalowego.
8. Nieutrzymywanie kuchenki w czystości może prowadzić do pogorszenia stanu jej powierzchni, co może negatywnie wpłynąć na żywotność urządzenia i doprowadzić do niebezpiecznej sytuacji.
9. Urządzenia nie wolno umieszczać w szafce.
10. Podczas wyjmowania pojemników z urządzenia należy uważać, aby nie przesunąć stołu obrotowego.
11. Urządzenie nie może być czyszczone za pomocą odkurzacza parowego.

12. Urządzenie nie może być zainstalowane na wysokości równej lub wyższej niż 900 mm nad podłogą. Minimalna wysokość wolnej przestrzeni nad górną powierzchnią piekarnika: 100 mm.

Ostrzeżenie: Gdy urządzenie pracuje w trybie kombinowanym, dzieci powinny korzystać z piekarnika wyłącznie pod nadzorem osoby dorosłej ze względu na wytwarzane temperatury.



UWAGA: GORĄCA POWIERZCHNIA

13. Jeśli przewód zasilający jest uszkodzony, musi zostać wymieniony przez producenta, jego przedstawiciela serwisowego lub podobnie wykwalifikowaną osobę w celu uniknięcia zagrożenia.
14. To urządzenie może być używane przez dzieci w wieku od 8 lat i starsze oraz osoby o ograniczonych zdolnościach fizycznych, sensorycznych lub umysłowych lub nieposiadające doświadczenia i wiedzy, jeśli są one nadzorowane lub zostały poinstruowane w zakresie bezpiecznego korzystania z urządzenia i rozumieją związane z tym zagrożenia.
15. Dzieci nie powinny bawić się urządzeniem.
16. Czyszczenie i konserwacja nie mogą być wykonywane przez dzieci bez nadzoru.
17. To urządzenie jest przeznaczone do użytku domowego i podobnych zastosowań, takich jak:
- kuchnie dla personelu w sklepach, biurach i innych środowiskach pracy;
 - Zagroda;
 - przez klientów hoteli, moteli i innych obiektów mieszkalnych;
 - środowiska typu bed and breakfast. Urządzenia nie są

przeznaczone do obsługi za pomocą zewnętrznego timera lub oddzielnego systemu zdalnego sterowania

18. Nie należy bezpośrednio wlewać zimnej wody do szklanej płyty po użyciu. Szklaną płytę należy odstawić na co najmniej 20 minut, a następnie włożyć do wody, aby uniknąć pęknięcia.
19. Urządzenie klasy B grupy 2
Urządzenia ISM grupy 2: grupa 2 obejmuje wszystkie urządzenia ISM, w których energia o częstotliwości radiowej jest celowo generowana i/lub wykorzystywana w postaci promieniowania elektromagnetycznego do obróbki materiału, a także urządzenia EDM i do spawania łukowego.
Sprzęt klasy B to sprzęt odpowiedni do użytku w gospodarstwach domowych oraz w zakładach bezpośrednio podłączonych do sieci niskiego napięcia, która zasilą budynki wykorzystywane do celów domowych.
20. Wewnętrzne źródło światła LED tego produktu < 60lm.
21. "Aby zachować zgodność z normą EN 61000-3-11, produkt należy podłączać wyłącznie do źródła zasilania o impedancji systemu: $|Z_{sys}| = 0,40089 \text{ oma}$ lub mniejszej. Przed podłączeniem produktu do publicznej sieci energetycznej należy skonsultować się z lokalnym dostawcą energii, aby upewnić się, że sieć energetyczna spełnia powyższe wymagania."
22. Po podłączeniu lub zakończeniu pracy urządzenie przejdzie w tryb wyłączenia, tryb wyłączenia: < 0,3W.

INSTALACJA

1. Wyjmij wszystkie opakowania. Jeśli na piekarniku znajduje się bezpieczna folia, zerwij ją przed użyciem. Sprawdź dokładnie, czy nie ma uszkodzeń. W razie ich wystąpienia należy natychmiast powiadomić sprzedawcę lub wysłać urządzenie

do centrum serwisowego producenta.

2. Kuchenki mikrofalowe muszą być umieszczone w suchym i niekorozyjnym otoczeniu, z dala od źródeł ciepła i wilgoci, takich jak palnik gazowy lub zbiornik wody.
3. Aby zapewnić wystarczającą wentylację, odległość tylnej części kuchenki mikrofalowej od ściany powinna wynosić co najmniej 10 cm, odległość bocznej części kuchenki mikrofalowej od ściany powinna wynosić co najmniej 5 cm, wolna odległość nad górną powierzchnią powinna wynosić co najmniej 20 cm. odległość kuchenki mikrofalowej od podłoża powinna wynosić co najmniej 85 cm.
4. Kuchenka powinna być ustawiona z dala od telewizora, radia lub anteny, ponieważ mogą wystąpić zakłócenia obrazu lub szumy. Odległość powinna być większa niż 5 m.
5. Urządzenie musi być umieszczone tak, aby wtyczka była dostępna i musi zapewniać dobre uziemienie w przypadku wycieku, pętli uziemienia może być utworzony, aby uniknąć porażenia prądem.
6. Kuchenka mikrofalowa musi być używana z zamkniętymi drzwiczkami.
7. Kuchenki mikrofalowej nie wolno umieszczać w szafce. Kuchenka mikrofalowa jest przeznaczona do użytku wolnostojącego.
8. Ponieważ we wnętrzu piekarnika lub na elemencie grzejnym pozostały resztki produkcyjne lub olej, zwykle wyczuwalny jest zapach, a nawet lekki dym, jest to normalny przypadek i nie wystąpi po kilkukrotnym użyciu, należy pozostawić otwarte drzwi lub okno, aby zapewnić dobrą wentylację. Dlatego zdecydowanie zaleca się umieszczenie filiżanki wody we wnętrzu, ustawienie wysokiej mocy i kilkakrotne uruchomienie.

CZYSZCZENIE

PIELĘGNACJA KUCHENKI MIKROFALOWEJ

CAUTION

Piekarnik powinien być regularnie czyszczony, a wszelkie osady z żywności usuwane.

WARNING

- a. Przed czyszczeniem należy wyjąć przewód zasilający z gniazdka ściennego. Po schłodzeniu produktów. Nie zanurzaj urządzenia w wodzie lub innych płynach podczas czyszczenia.
- b. Nieutrzymywanie piekarnika w czystości może prowadzić do pogorszenia stanu powierzchni, co może negatywnie wpłynąć na żywotność urządzenia i może spowodować niebezpieczną sytuację.
- c. Nigdy nie używaj twardego detergentu, benzyny, proszku ściernego lub metalowej szczotki do czyszczenia jakiegokolwiek części urządzenia.
- d. Nie należy zdejmować pokrywy falowodu.
- e. Jeśli kuchenka mikrofalowa była używana przez długi czas, w kuchence mogą występować dziwne zapachy, poniższe 3 metody mogą się ich pozbyć:
 1. Umieść kilka plasterków cytryny w filiżance, a następnie podgrzewaj z wysoką mocą mikrofal przez 2-3 minuty.
 2. Umieść filiżankę czerwonej herbaty w piekarniku, a następnie podgrzej z dużą mocą.
 3. Włóż skórki pomarańczy do piekarnika, a następnie podgrzewać je z dużą mocą przez 1 minutę.
- f. Gdy produkt nie jest używany, należy go umieścić w suchym i wentylowanym miejscu.

WARNING

Szczegółowe informacje na temat czyszczenia powierzchni mających kontakt z żywnością:

Po użyciu należy przetrzeć pokrywę falowodu wilgotną ściereczką, a następnie suchą ściereczką, aby usunąć wszelkie rozpryski żywności i tłuszcz. Nagromadzony tłuszcz może się przegrzać i zacząć dymić lub zapalić się.

WSKAZÓWKI DOTYCZĄCE CZYSZCZENIA

Szczegóły dotyczące czyszczenia uszczelek drzwi, wnęki i przyległych części:

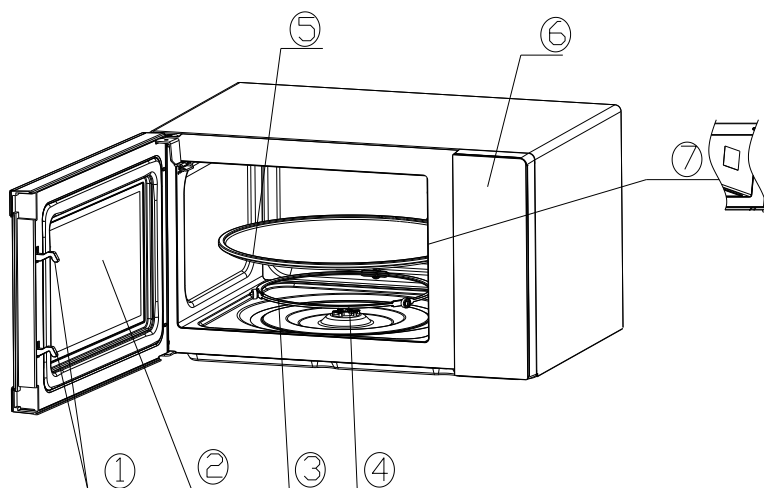
Na zewnątrz: Przetrzeć obudowę zwilżoną miękką ściereczką.

Drzwi: Za pomocą zwilżonej miękkiej ściereczki wytrzyj drzwi i szybę. Przetrzyj uszczelki drzwi i sąsiadujące części, aby usunąć wszelkie wycieki lub odpryski. Przetrzyj panel sterowania lekko zwilżoną miękką ściereczką.

Ściany wewnętrzne: Wytrzeć wewnętrzne powierzchnie zwilżoną miękką ściereczką. Wytrzyj pokrywę falowodu, aby usunąć wszelkie rozpryski jedzenia.

Stół obrotowy / pierścień obrotowy / oś obrotu: Umyć łagodną wodą z mydłem. Spłukać czystą wodą i pozostawić do wyschnięcia.

INSTRUKCJA OBSŁUGI PRODUKTU



1) Blokada drzwiczek

Drzwiczki kuchenki mikrofalowej muszą być prawidłowo zamknięte, aby mogła ona działać.

2) Okno podglądu

Pozwala użytkownikowi zobaczyć status gotowania

3) Obrotowy pierścień

Szklany stół obrotowy znajduje się na kółkach; podtrzymuje stół obrotowy i pomaga mu zachować równowagę podczas obracania.

4) Oś obrotowa

Szklany talerz obrotowy umieszczony jest na osi; znajdujący się pod nim silnik napędza talerz obrotowy.

5) Gramofon

Żywność znajduje się na stole obrotowym, a jego obracanie się podczas pracy pomaga w równomiernym gotowaniu żywności.

CAUTION

- Najpierw umieść pierścień obrotowy
- Zamontuj gramofon na osi obrotowej i upewnij się, że jest prawidłowo ustawiony.

6) Panel sterowania

Szczegółowe informacje znajdują się poniżej (panel sterowania może ulec zmianie bez wcześniejszego powiadomienia)

7) Ruszt grillowy

Służy do umieszczania pieczeni.

8) Osłona falowodu

Znajduje się wewnątrz kuchenki mikrofalowej, obok ścianki panelu sterowania.

WARNING

Nigdy nie zdejmuj pokrywy falowodu

OBSŁUGA PANELU STEROWANIA

		Moc
		Czas
		Niski
		Rozmrażać
		Średni
		Średni wzrost
		Wysoki
		Grill
		Kombi 1
	Kombi 2	
	Kombi 3	

1. USTAWIENIE ZEGARA

Maksymalne ustawienie to 30 minut, na koniec rozlegnie się dźwięk dzwonka, a pokrętko powróci do pozycji "0".

2. FUNKCJA MIKROFAL

1.	Niski	18% mocy wyjściowej. Trzymaj się ciepło.
2.	Rozmrażać	36% mocy wyjściowej. Rozmrażać.
3.	Średni	58% mocy wyjściowej. Powolne gotowanie.
4.	Średni wzrost	81% mocy wyjściowej. Normalne gotowanie.
5.	Wysoki	100% mocy wyjściowej. Szybkie gotowanie.
6.	Grill	Zasilany jest tylko element grzejny.
7.	Kombi 1	30% czasu pracy, magnetron jest zasilany i 70% czasu, gdy element grzejny jest zasilany. Nadaje się do pieczenia kotletów, kanapek itp.
8.	Kombi 2	49% czasu pracy, magnetron jest zasilany i 51% czasu, gdy element grzejny jest zasilany. Nadaje się do opiekania małych kurczaków i mięsa.
9.	Kombi 3	67% czasu pracy, magnetron jest zasilany i 33% czasu, gdy element grzejny jest zasilany. Nadaje się do smażenia dużych kurczaków, kaczek itp.

Poniżej znajduje się kilka porad dotyczących czasu rozmrażania żywności:

No.	Waga (g)	Czas odszraniania
1	250g	Okolo 4 minut
2	500g	Okolo 8 minut
3	750g	Okolo 12 minut

DZIAŁANIE

1) Podłącz przewód

-Przed podłączeniem przewodu upewnij się, że zegar jest ustawiony w pozycji "0".

- Nie blokuj wentylacji.

2) Umieść żywność na szklanym talerzu obrotowym i zamknij drzwiczki

- Żywność musi znajdować się w naczyniu.

- Nie używaj kuchenki mikrofalowej bez wsadu, ponieważ spowoduje to jej uszkodzenie.

3) Wybierz żądany poziom mocy mikrofal

4) Ustaw timer

Jeśli żądany czas jest krótszy niż 2 minuty, obróć pokrętko mocy mikrofal do pozycji powyżej 3 minut, a następnie obróć z powrotem do żądanego ustawienia czasu.

5) Po ustawieniu żądanego czasu rozpocznie się gotowanie. Jeśli konieczne jest wstrzymanie gotowania, wystarczy otworzyć drzwiczki w dowolnym momencie i zamknąć je, aby wznowić pracę.

6) Po upływie ustawionego czasu i zakończeniu gotowania

kuchenka mikrofalowa wyemituje sygnał dźwiękowy, a lampka wewnętrzna zostanie automatycznie wyłączona.

Jeśli żywność zostanie wyjęta przed upływem limitu czasu, należy ustawić timer z powrotem w pozycji "0", co pozwoli uniknąć pracy kuchenki mikrofalowej z pustym wsadem.

7) Zaleca się noszenie rękawic podczas wyjmowania gotowanej żywności z kuchenki i uważanie, aby nie dotknąć ścianki komory.

CAUTION

Szybkie podgrzewanie żywności, zwykle tylko 2 do 3 minut, należy kontrolować w ciągu 5 minut. Należy zwrócić uwagę na stan gotowania żywności w dowolnym momencie i dostosować go zgodnie z preferencjami smakowymi. Należy unikać przegrzania. Podczas podgrzewania owsianki, congee, należy najpierw równomiernie wymieszać, a następnie przykryć folią plastikową (pozostawiając narożniki do wentylacji) lub perforowaną pokrywą grzewczą.

W połowie czasu rozmrażania należy otworzyć drzwiczki, aby obrócić żywność, dzięki czemu efekt rozmrażania będzie bardziej równomierny.

WYTYCZNE DOTYCZĄCE PRZYBORÓW

W zależności od metody gotowania należy wybrać bezpieczne i odpowiednie naczynie. Nieprawidłowy dobór naczynia nie tylko wpłynie na efekt gotowania, ale także spowoduje uszkodzenie naczynia lub kuchenki mikrofalowej. Należy zapoznać się z poniższą tabelą:

Materiał pojemnika	Kuchenka mikrofalowa	Grill	Kombi	Notatki
Ceramika żaroodporna	Tak	Tak	Tak	Nigdy nie używaj ceramiki ozdobionej metalowym brzegiem lub szkliwionej

Plastik odporny na ciepło	Tak	NIE	NIE	Nie można używać do długotrwałego gotowania w kuchence mikrofalowej
Szkło żaroodporne	Tak	Tak	Tak	
Folia z tworzywa sztucznego	Tak	NIE	NIE	Nie należy go używać do gotowania mięsa lub kotletów, ponieważ nadmierna temperatura może spowodować uszkodzenie folii
Stojak na grilla	NIE	Tak	Tak	Ruszt grillowy może być używany wyłącznie w trybie grillowania i kombinowanym.
Pojemnik metalowy	NIE	NIE	NIE	Nie należy go używać w kuchence mikrofalowej. Mikrofałe nie mogą przenikać przez metal.
Lakier	NIE	NIE	NIE	Słabo odporny na ciepło. Nie można używać do gotowania w wysokiej temperaturze
Drewno bambusowe i papier	NIE	NIE	NIE	Słabo odporny na ciepło. Nie można używać do gotowania w wysokiej temperaturze

WSKAZÓWKI DOTYCZĄCE GOTOWANIA

Na wynik gotowania mogą mieć wpływ następujące czynniki:

Ułożenie żywności

Umieść grubsze części na zewnątrz naczynia, a cieńsze na środku i rozłóż je równomiernie. Nie nakładaj na siebie, jeśli to możliwe.

Długość czasu gotowania

Rozpocznij gotowanie od ustawienia krótkiego czasu, oceń go po upływie czasu i wydłuż go zgodnie z rzeczywistymi potrzebami. Zbyt długie gotowanie może spowodować dymienie i oparzenia.

Równomierne gotowanie żywności

Potrawy takie jak kurczak, hamburger lub stek należy obrócić raz podczas gotowania.

W zależności od rodzaju potrawy, jeśli ma to zastosowanie, wymieszaj ją od zewnątrz do środka naczynia raz lub dwa razy podczas gotowania

Pozostawić na czas gotowania

Po zakończeniu pieczenia należy pozostawić potrawę w piekarniku na odpowiednio długi czas, co pozwoli na dokończenie cyklu pieczenia i stopniowe schładzanie potrawy.

Czy żywność jest gotowa

Kolor i twardość żywności pomagają określić, czy jest ona gotowa:

- Para wydobywająca się ze wszystkich części jedzenia, nie tylko z krawędzi
- Stawy drobiu można łatwo poruszyć
- Wieprzowina lub drób nie wykazują oznak krwi.
- Ryba jest nieprzezroczysta i daje się łatwo kroić widelcem.

Naczynie do przyrumieniania

Używając naczynia do przyrumieniania lub samonagrzewającego się pojemnika, zawsze umieszczaj pod nim odporny na ciepło izolator, taki jak porcelanowy talerz, aby zapobiec uszkodzeniu stołu obrotowego i pierścienia obrotowego.

Plastikowa folia bezpieczna w kuchence mikrofalowej

Podczas gotowania potraw o wysokiej zawartości tłuszczu nie

należy dopuszczać do kontaktu folii z żywnością, ponieważ może się ona stopić.

Plastikowe naczynia do gotowania w kuchence mikrofalowej

Niektóre plastikowe naczynia do gotowania w kuchence mikrofalowej mogą nie nadawać się do gotowania potraw o wysokiej zawartości tłuszczu i cukru. Nie wolno również przekraczać czasu podgrzewania określonego w instrukcji obsługi naczynia.

KONSERWACJA

SERWISOWANIE

Przed wezwaniem serwisu należy sprawdzić następujące elementy.

1. Umieść filiżankę wody (ok. 150 ml) w szklanej miarce w piekarniku i dokładnie zamknij drzwiczki. Lampka piekarnika powinna zgasnąć, jeśli drzwiczki są prawidłowo zamknięte. Pozostawić piekarnik na 1 minutę.
2. Czy lampka piekarnika świeci się?
3. Czy wentylator chłodzący działa?
(Umieść dłoń nad tylnymi otworami wentylacyjnymi).
4. Czy talerz obrotowy obraca się?
(Gramofon może obracać się w prawo lub w lewo. Jest to całkiem normalne).
5. Czy woda wewnątrz piekarnika jest gorąca?

Jeśli odpowiedź na którekolwiek z powyższych pytań brzmi "NIE", należy sprawdzić gniazdko ścienne i bezpiecznik w skrzynce licznika.

Jeśli zarówno gniazdko ścienne, jak i bezpiecznik działają prawidłowo, skontaktuj się z najbliższym autoryzowanym punktem serwisowym.

Prawidłowa utylizacja tego produktu



To oznaczenie wskazuje, że tego produktu nie należy wyrzucać razem z innymi odpadami z gospodarstw domowych w całej UE. Aby zapobiec możliwym szkodom dla środowiska lub zdrowia ludzkiego wynikającym z niekontrolowanego usuwania odpadów, należy poddać je recyklingowi w sposób odpowiedzialny, aby promować zrównoważone ponowne wykorzystanie zasobów materialnych. Aby zwrócić zużyte urządzenie, należy skorzystać z systemów zwrotu i zbiórki lub skontaktować się ze sprzedawcą, u którego produkt został zakupiony. Może on przekazać produkt do bezpiecznego dla środowiska recyklingu.

OGRANICZONA GWARANCJA

Niniejsza gwarancja jest udzielana na okres 2 (dwóch) lat, licząc od daty zakupu Urządzenia, ale nie dłużej niż 5 (pięć) lat od daty produkcji. Niniejsza gwarancja stanowi uzupełnienie konstytucyjnych praw konsumentów i w żaden sposób ich nie ogranicza. Serwis gwarancyjny Urządzenia jest świadczony wyłącznie przy ścisłym przestrzeganiu zasad działania i wymogów bezpieczeństwa określonych w dokumentacji towarzyszącej Urządzeniu.

Na stronie <https://service.uniondistribution.eu> można uzyskać pomoc online, obejrzeć filmy dotyczące personalizacji i uzyskać inne przydatne informacje.

SKANOWANIA QR CODE

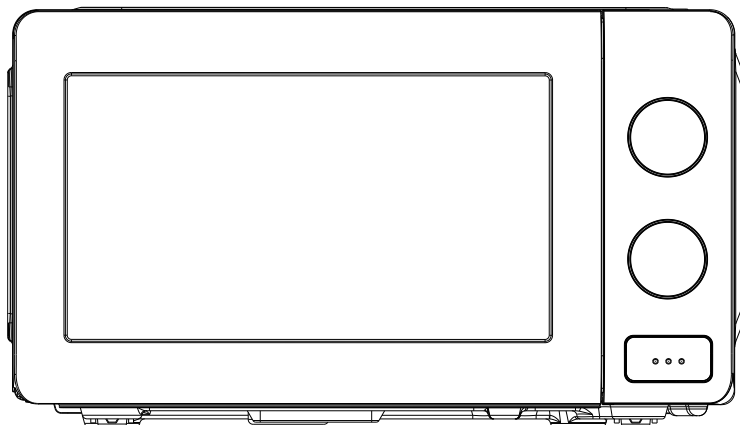
ZAREJESTRUJ SWÓJ PRODUKT
UZYSKAJ WSPARCIE I GWARANCJĘ

service.uniondistribution.eu



MANUALUL UTILIZATORULUI

PĂSTRAȚI ACESTE INSTRUCȚIUNI



MĂSURI DE PROTECȚIE IMPORTANTE

AVERTISMENT: Dacă ușa sau garniturile de etanșare ale ușii sunt deteriorate, cuptorul nu trebuie să fie utilizat până când nu este reparat de o persoană calificată.

AVERTISMENT: Este periculos pentru orice persoană, alta decât o persoană instruită, să efectueze orice operațiune de service sau de reparație, care implică îndepărtarea oricărui capac, care oferă protecție împotriva expunerii la energia cuptorului cu microunde.

AVERTISMENT: Lichidele sau alte alimente nu trebuie încălzite în recipiente sigilate, deoarece acestea pot exploda.

1. Folosiți numai ustensile care sunt adecvate pentru utilizarea în cuptoarele cu microunde.
2. Recipientele metalice pentru alimente și băuturi nu sunt permise în timpul gătitului în cuptorul cu microunde.
3. Atunci când încălziți alimente în recipiente de plastic sau de hârtie, supravegheați cuptorul din cauza posibilității de aprindere.

4. Cuptorul cu microunde este destinat încălzirii alimentelor și băuturilor. Uscarea alimentelor sau a îmbrăcămintei și încălzirea pernuțelor de încălzire, papucilor, bureților, cârpelor umede și altele asemenea pot duce la risc de rănire, aprindere sau incendiu.
 5. În cazul în care se observă fum, opriți sau scoateți aparatul din priză și țineți ușa închisă pentru a înăbuși orice flăcări încălzirea băuturilor cu microunde poate duce la o fierbere eruptivă întârziată, prin urmare trebuie să aveți grijă la manipularea recipientului.
 6. Conținutul biberoanelor și al borcănelor de mâncare pentru copii trebuie amestecat sau agitat, iar temperatura trebuie verificată înainte de consum, pentru a evita arsurile.
 7. Ouăle în coajă și ouăle fierte tari întregi nu trebuie încălzite în cuptoare cu microunde, deoarece acestea pot exploda, chiar și după ce încălzirea cu microunde s-a încheiat.
 8. Neîntreținerea cuptorului în stare de curățenie ar putea duce la deteriorarea suprafeței, ceea ce ar putea afecta negativ durata de viață a aparatului și, eventual, ar putea duce la o situație periculoasă.
 9. Aparatul nu trebuie să fie amplasat într-un dulap.
 10. Trebuie avut grijă să nu se deplaseze placa turnantă atunci când se scot recipientele din aparat.
 11. Aparatul nu trebuie curățat cu un aparat de curățare cu aburi.
 12. Aparatul nu trebuie să fie instalat la o înălțime egală sau mai mare de 900 mm deasupra podelei. 13. Înălțimea minimă a spațiului liber necesar deasupra suprafeței superioare a cuptorului: 100 mm.
- Avertisment:** Atunci când aparatul funcționează în modul combinat, copiii trebuie să folosească cuptorul numai sub supravegherea unui adult, din cauza temperaturilor generate.



ATENȚIE: SUPRAFAȚĂ FIERBINTE

13. În cazul în care cablul de alimentare este deteriorat, acesta trebuie înlocuit de către producător sau de către agentul său de service sau de către o persoană cu calificare similară pentru a evita un pericol.

14. Acest aparat poate fi utilizat de către copii cu vârsta începând cu 8 ani și de persoanele cu capacități fizice, senzoriale sau mentale reduse sau cu lipsă de experiență și cunoștințe, dacă acestea au fost supravegheate sau instruite cu privire la utilizarea aparatului în condiții de siguranță și dacă înțeleg pericolele implicate.

15. Copiii nu trebuie să se joace cu aparatul.

16. Curățarea și întreținerea de către utilizator nu trebuie să fie efectuate de către copii fără supraveghere.

17. Acest aparat este destinat utilizării în uz casnic și aplicații similare, cum ar fi:

- zonele de bucatarie ale personalului din magazine, birouri și alte medii de lucru;
- ferme;
- de către clienți din hoteluri, moteluri și alte medii de tip rezidențial;
- medii tip pensiune. Aparatele nu sunt concepute pentru a fi acționate prin intermediul unui temporizator extern sau al unui sistem separat de telecomandă.

18. Nu introduceți direct apă rece în placa de sticlă după utilizare. Trebuie să se așeze placa de sticlă timp de cel puțin 20 de minute și apoi să se pună în apă pentru a evita crăparea.

19. Aparat din grupa 2, clasa B

Echipamente ISM din grupa 2: grupa 2 conține toate echipamentele ISM în care energia de radiofrecvență este generată în mod intenționat și/sau utilizată sub formă de radiații electromagnetice pentru tratarea materialelor, precum și

echipamentele de sudură cu electroeroziune și cu arc electric.

Echipamentele din clasa B sunt echipamente care pot fi utilizate în unități casnice și în unități conectate direct la o rețea de alimentare cu energie electrică de joasă tensiune care alimentează clădiri utilizate în scopuri casnice.

20. Sursa de lumină internă a acestui produs este lumina LED < 60lm.

21. "Pentru a fi în conformitate cu EN 61000-3-11, produsul trebuie conectat numai la o sursă de alimentare cu o impedanță de sistem: $Z_{\text{sys}} = 0,40089$ ohmi sau mai mică. Înainte de a conecta produsul la rețeaua publică de alimentare, vă rugăm să consultați autoritatea locală de alimentare cu energie electrică pentru a vă asigura că rețeaua de alimentare îndeplinește cerința de mai sus."

22. După conectare sau terminarea funcționării, aparatul intră în modul oprit, modul oprit: <0,3W.

INSTALARE

1. Scoateți toate ambalajele. Dacă există o peliculă de siguranță peste cuptor, rupeți-o înainte de utilizare. Verificați cu atenție dacă există deteriorări. Dacă există, anunțați imediat dealerul sau trimiteți-l la centrul de service al producătorului.

2. Cuptoarele cu microunde trebuie amplasate în medii uscate și necorozive, ținute departe de căldură și umiditate, cum ar fi arzătorul de gaz sau rezervorul de apă.

3. Pentru a asigura o ventilație suficientă, distanța dintre partea din spate a cuptorului cu microunde și perete trebuie să fie de cel puțin 10 cm, cea laterală față de perete de cel puțin 5 cm, distanța liberă deasupra suprafeței superioare de cel puțin 20 cm. Distanța dintre cuptorul cu microunde și sol trebuie să fie de cel puțin 85 cm.

4. Poziția cuptorului trebuie să fie astfel încât acesta să fie departe de televizor, radio sau antenă, deoarece pot apărea

perturbări ale imaginii sau zgomot. Distanța trebuie să fie mai mare de 5 m.

5. Aparatul trebuie poziționat astfel încât fișa să fie accesibilă și trebuie să asigure o bună împământare în cazul în care se pot forma scurgeri, bucle de împământare pentru a evita șocurile electrice.

6. Cuptorul cu microunde trebuie să fie utilizat cu ușa închisă.

7. Cuptorul cu microunde nu trebuie să fie amplasat într-un dulap. Cuptorul cu microunde este destinat să fie utilizat independent.

8. Deoarece există reziduuri de fabricație sau ulei rămas pe cavitatea cuptorului sau pe elementul de încălzire, de obicei ar mirosi mirosul, chiar și un fum ușor, Este un caz normal și nu ar apărea după mai multe ori de utilizare, păstrați ușa sau fereastra deschisă pentru a asigura o bună ventilație. Deci, se recomandă cu tărie să puneți o ceașcă de apă în cavitate, setarea la putere mare și funcționarea de mai multe ori.

CURĂȚARE

ÎNGRIJIREA CUPTORULUI CU MICROUNDE

CAUTION

Cuptorul trebuie curățat în mod regulat și orice depuneri de alimente trebuie îndepărtate.

WARNING

a. Scoateți cablul de alimentare din priza de perete înainte de curățare. După răcirea produselor. Nu scufundați aparatul în apă sau în alte lichide atunci când îl curățați.

b. Neîntreținerea cuptorului în stare de curățenie poate duce la deteriorarea suprafeței care ar putea afecta negativ durata de viață a aparatului și poate duce la o situație periculoasă.

c. Nu utilizați niciodată detergent dur, benzină, praf abraziv sau perie metalică pentru a curăța orice parte a aparatului.

d. Nu îndepărtați capacul ghidului de undă.

e. Atunci când cuptorul cu microunde a fost utilizat pentru o perioadă lungă de timp, pot exista unele mirosuri ciudate în cuptor, următoarele 3 metode pot scăpa de ele:

1) Așezați câteva felii de lămâie într-o ceașcă, apoi încălziți cu micro putere mare timp de 2-3 min.

2) Așezați o ceașcă de ceai roșu în cuptor, apoi încălziți cu micro putere mare.

3) Puneți câteva coji de portocale în cuptor, apoi încălziți-le cu micro putere mare timp de 1 minut.

f. Atunci când produsul nu este utilizat, acesta trebuie plasat în zone uscate și cât mai bine aerisite.

WARNING

Detaliază modul de curățare a suprafețelor în contact cu alimentele:

După utilizare, ștergeți capacul ghidului de undă cu o cârpă umedă, urmată de o cârpă uscată pentru a îndepărta eventualele stropi de alimente și grăsime. Grăsimea acumulată se poate supraîncălzi și poate începe să provoace fum sau să ia foc.

SFATURI PENTRU CURĂȚARE

Detalii pentru curățarea garniturilor de etanșare a ușii, a cavității și a părților adiacente:

Exterior: Ștergeți carcasa cu o cârpă moale umezită.

Ușă: Cu o cârpă moale umezită, curățați ușa și fereastra cu ajutorul unei cârpe moi umezite

Ștergeți garniturile ușii și părțile adiacente pentru a îndepărta orice scurgere sau stropire.

Ștergeți panoul de comandă cu o cârpă moale ușor umezită.

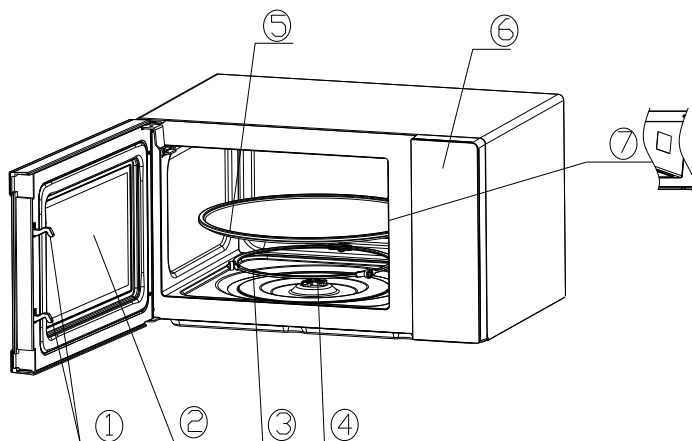
Pereți interiori:

Curățați suprafețele interioare cu o cârpă moale umezită
Ștergeți capacul ghidului de undă pentru a îndepărta orice stropire de alimente

Placă turnantă / Inel de rotație / Axă de rotație:

Spălați cu apă cu săpun blând.
Clătiți cu apă curată și lăsați să se usuce bine.

INSTRUCȚIUNI PRIVIND PRODUSUL



1) Încuietoare

Ușa cuptorului cu microunde trebuie să fie închisă corespunzător pentru a putea funcționa.

2) Fereastra de vizualizare

Permiteți utilizatorului să vadă starea de gătit

3) Inel rotativ

Placa turnantă din sticlă se așează pe roțile sale; susține placa turnantă și o ajută să se echilibreze la rotire

4) Axa de rotație

Placa turnantă din sticlă se așează pe axă; motorul de sub acesta antrenează placa turnantă să se rotească

5) Placă turnantă

Mâncarea se așează pe platoul rotativ, rotirea acesteia în timpul funcționării ajută la gătirea uniformă a alimentelor

⚠ CAUTION

- Așezați mai întâi inelul rotativ
- Montați placa turnantă pe axa de rotație și asigurați-vă că este încadrată corect

6) Panou de control

Vedeți mai jos în detalii (panoul de control poate fi schimbat fără notificare prealabilă)

7) Gratar

Utilizați pentru a plasa alimentele de prăjire.

8)Capac ghidaj de undă

Este în interiorul cuptorului cu microunde, lângă peretele panoului de control.



WARNING

Nu îndepărtați niciodată capacul ghidului de undă

OPERAREA PANOULUI DE CONTROL

		Putere
		Timp
		Scăzut
		Dezgheta
		Mediu
		Mediu Ridicat
		Înalt
		Grătar
		Combi 1
	Combi 2	
	Combi 3	

1. SETARE CEAS

Setarea maximă este de 30 de minute, există un ton de apel la sfârșit, iar butonul revine în poziția „0”.

2. FUNCȚIA MICROUND

1.	Scăzut	18% putere de ieșire. Păstrați cald.
2.	Dezgheta	36% putere de ieșire. Dezgheta.
3.	Mediu	58% putere de ieșire. Gătire lentă.
4.	Mediu Ridicat	81% putere de ieșire. Gătitul normal.
5.	Înalt	100% putere de ieșire. Gătit rapid.
6.	Grătar	Doar elementul termic este alimentat.
7.	Combi 1	30% timp de funcționare, magnetronul este alimentat și 70% timpul de funcționare a elementului termic este alimentat. Este potrivit pentru prăjirea coteletelor, sandvișurilor și etc.
8.	Combi 2	49% timp de funcționare magnetronul este alimentat și 51% timpul de încălzire este alimentat. Este potrivit pentru frigerea puiului mic și a cărnii.
9.	Combi 3	67% timp de funcționare, magnetronul este alimentat și 33% timpul de funcționare a elementului termic este alimentat. Este potrivit pentru fiert pui mare, rață și etc.

Mai jos sunt câteva sfaturi privind timpul de decongelare a alimentelor:

No.	Greutate (g)	Timp de dezghețare
1	250 g	Aproximativ 4 minute
2	500 g	Aproximativ 8 minute
3	750 g	Aproximativ 12 minute

OPERAȚIUNE

1) Conectați cablul

- Înainte de a conecta cablul, asigurați-vă că temporizatorul este setat în poziția „0”.

- Nu blocați ventilația.

2) Așezați mâncarea pe placa turnantă de sticlă și închideți ușa

- Mâncarea trebuie să fie conținută într-o ustensilă.

- Nu utilizați cuptorul cu microunde fără sarcină, altfel se va deteriora cuptorul cu microunde.

3) Selectați nivelul de putere dorit al cuptorului cu microunde

4) Setați cronometrul

Dacă timpul dorit este mai mic de 2 minute, rotiți butonul de alimentare cu microunde în poziția peste 3 minute și apoi reveniți la setarea dorită a timpului.

5) Odată setat timpul dorit, începe gătitul. Dacă este necesară o pauză la jumătatea drumului, deschideți ușa în orice moment și închideți-o pentru a relua funcționarea.

6) Când expiră și gătitul se termină, cuptorul cu microunde emite un sonerie, iar lampa interioară se va stinge automat.

Dacă alimentele sunt îndepărtate înainte de expirarea timpului, asigurați-vă că ați restabilit temporizatorul în poziția „0”, astfel încât cuptorul cu microunde să nu funcționeze în sarcină goală.

7) Se recomandă purtarea mănușilor atunci când scoateți alimentele gătite din cuptor și aveți grijă să nu atingeți peretele cavității.

CAUTION

Încălzirea rapidă a alimentelor, în general doar 2 până la 3 minute, vă rugăm să controlați în 5 minute. Vă rugăm să fiți atenți la starea de gătire a alimentelor în orice moment și să o ajustați în funcție de preferințele dvs. de gust. Evitați supraîncălzirea. Când se încălzește terci, congee, trebuie mai întâi să se amestece uniform și apoi să se acopere cu folie de plastic (lăsați colțurile pentru ventilație) sau cu un capac perforat de încălzire.

La mijlocul timpului de dezghețare, vă rugăm să deschideți ușa pentru a întoarce alimentele, astfel încât efectul de dezghețare să fie mai uniform.

GHID DE UTENSILE

În funcție de metoda de gătit, este necesar să alegeți un vas sigur și potrivit. Dacă nu este selectat corespunzător, nu numai că va afecta efectul de gătit, ci va provoca și deteriorarea vasului sau a cuptorului cu microunde. Vă rugăm să consultați tabelul de mai jos pentru utilizare:

Materialul recipientului	Cuptor cu microunde	Grătar	Combi	Note
Ceramica rezistentă la căldură	Da	Da	Da	Nu utilizați niciodată ceramica care este decorată cu margine metalică sau glazurată
Plastic rezistent la căldură	Da	Nu	Nu	Nu poate fi folosit pentru o perioadă lungă de gătit la microunde

Sticlă rezistentă la căldură	Da	Da	Da	
Film de plastic	Da	Nu	Nu	Nu trebuie folosit atunci când gătiți carne sau cotlete, deoarece supratemperatura poate deteriora pelicula
Gratar gratar	Nu	Da	Da	Grătarul poate fi folosit numai în modul grătar și combinație.
Recipient metalic	Nu	Nu	Nu	Nu trebuie folosit în cuptorul cu microunde. Cuptorul cu microunde nu poate pătrunde prin metal.
Lac	Nu	Nu	Nu	Rezistent la căldură slab. Nu poate fi folosit pentru gătit la temperatură înaltă
Lemn de bambus și hârtie	Nu	Nu	Nu	Rezistent la căldură slab. Nu poate fi folosit pentru gătit la temperatură înaltă

SFATURI DE GĂTIT

Următorii factori pot afecta rezultatul gătirii:

Aranjament alimentar

Așezați zonele mai groase spre exteriorul vasului, partea mai subțire spre centru și întindeți-o uniform. Nu se suprapune dacă este posibil.

Durata timpului de preparare

Începeți să gătiți cu o setare de timp scurtă, evaluați-l după expirarea timpului și extindeți-l în funcție de nevoia reală. Gătitul

excesiv poate duce la fum și arsuri.

Gătirea alimentelor în mod uniform

Alimente precum puiul, hamburgerul sau friptura trebuie întoarse o dată în timpul gătirii.

În funcție de tipul de mâncare, dacă este cazul, amestecați-l din exterior în centrul vasului o dată sau de două ori în timpul gătirii

Permiteți timp de stat

După terminarea timpului de gătire, lăsați alimentele în cuptor pentru o perioadă adecvată de timp, astfel încât să-și termine ciclul de gătire și să le răcească într-un mod treptat.

Fie că mâncarea este făcută

Culoarea și duritatea alimentelor ajută la determinarea dacă este făcută, acestea includ:

- Abur care iese din toate părțile alimentelor, nu doar din margine
- Articulațiile de păsări pot fi mutate cu ușurință
- Carnea de porc sau de pasăre nu prezintă semne de sânge
- Peștele este opac și poate fi feliat ușor cu o furculiță

Vas de rumenire

Când utilizați un vas de rumenire sau un recipient cu autoîncălzire, așezați întotdeauna sub acesta un izolator rezistent la căldură, cum ar fi o farfurie de porțelan, pentru a preveni deteriorarea plăcii turnante și a inelului rotativ.

Folie de plastic pentru cuptorul cu microunde

Când gătiți alimente cu conținut ridicat de grăsimi, nu permiteți folia de plastic să intre în contact cu alimentele, deoarece se poate topi

Vase de gătit din plastic pentru cuptorul cu microunde

Unele vase de gătit din plastic pentru microunde ar putea să nu fie potrivite pentru gătirea alimentelor cu conținut ridicat de grăsimi și zahăr. De asemenea, timpul de preîncălzire specificat în manualul de instrucțiuni al vasului nu trebuie depășit.

ÎNTREȚINERE

SERVICING

Vă rugăm să verificați următoarele înainte de a apela la servicii.

1. Puneți o cană de apă (aprox. 150 ml) într-o măsură de sticlă în cuptor și închideți bine ușa. Lampa cuptorului ar trebui să se stingă dacă ușa este închisă corect. Lăsați cuptorul să funcționeze timp de 1 min.

2. Se aprinde lampa cuptorului?

3. Funcționează ventilatorul de răcire?

(Puneți mâna peste orificiile de ventilație din spate).

4. Se rotește placa turnantă?

(Placa turnantă se poate roti în sensul acelor de ceasornic sau în sens invers. Acest lucru este destul de normal).

5. Este fierbinte apa din interiorul cuptorului?

Dacă răspunsul la oricare dintre întrebările de mai sus este "NU", vă rugăm să verificați priza de perete și siguranța din cutia de contorizare.

Dacă atât priza de perete, cât și siguranța funcționează corect, **CONTACTAȚI CEL MAI APROAPE CENTRU DE SERVICE APROBAT.**

Eliminarea corectă a acestui produs



Acest marcaj indică faptul că acest produs nu trebuie eliminat împreună cu alte deșeuri menajere pe teritoriul UE. Pentru a preveni posibilele efecte nocive asupra mediului sau a sănătății umane ca urmare a eliminării necontrolate a deșeurilor, reciclați-l în mod responsabil pentru a promova reutilizarea durabilă a resurselor materiale. Pentru a returna dispozitivul uzat, vă rugăm să utilizați sistemele de returnare și colectare sau să contactați comerciantul cu amănuntul de unde ați achiziționat produsul. Aceștia pot prelua acest produs pentru o reciclare sigură din punct de vedere ecologic.

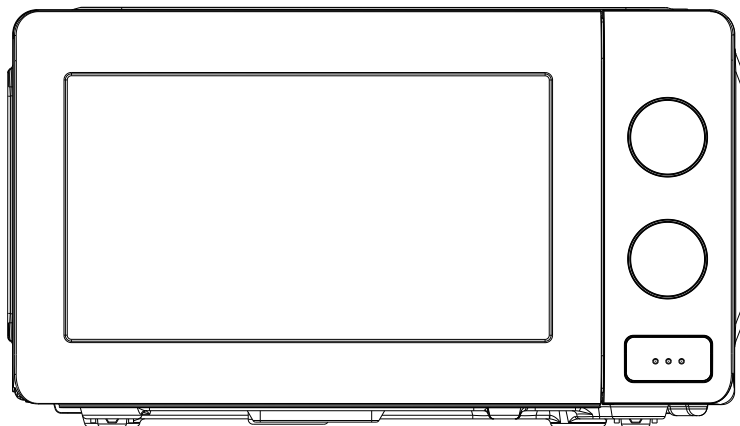
GARANȚIE LIMITATĂ

Această garanție este emisă pentru o perioadă de 2 (doi) ani, de la data achiziționării dispozitivului, dar nu mai mult de 5 (cinci) ani de la data de producție. Această garanție se adaugă la drepturile constituționale ale consumatorilor și nu le limitează în niciun fel. Serviciul de garanție a Dispozitivului se furnizează numai cu respectarea strictă a regulilor de funcționare și a cerințelor de siguranță specificate în documentația de însoțire a Dispozitivului.

Puteți obține asistență online și găsi alte informații utile pe <https://service.uniondistribution.eu>



USCHOVAJTE TIETO POKYNY



DÔLEŽITÉ BEZPEČNOSTNÉ POKYNY

POZOR: Ak sú dvierka alebo tesnenie dvierok poškodené, rúra sa nesmie prevádzkovať, kým ju neopraví vyškolená osoba.

POZOR: Pre kohokoľvek iného ako vyškolenú osobu je nebezpečné vykonávať akýkoľvek servis alebo opravu, ktorá zahŕňa odstránenie akéhokoľvek krytu, ktorý poskytuje ochranu pred vystavením mikrovlnnej energii. **VAROVANIE:** Kvapaliny alebo iné potraviny sa nesmú ohrievať v uzavretých nádobách, pretože môžu explodovať.

1. Používajte iba riad, ktorý je vhodný na použitie v mikrovlnných rúrach.
2. Počas mikrovlnného varenia nie sú povolené kovové nádoby na jedlo a nápoje.
3. Pri ohrievaní jedla v plastových alebo papierových nádobách sledujte rúru kvôli možnosti vznietenia.
4. Mikrovlnná rúra je určená na ohrev jedál a nápojov. Sušenie jedla alebo oblečenia a zahrievanie ohrievacích podložiek, papúč, špongií, vlhkej handričky a podobne môže viesť k riziku poranenia, vznietenia alebo požiaru.

5. Ak spozorujete dym, vypnite alebo odpojte spotrebič a nechajte dverka zatvorené, aby ste udusili prípadné plamene. Mikrovlnný ohrev nápojov môže viesť k oneskorenému erupčnému varu, preto pri manipulácii s nádobou buďte opatrní.

6. Obsah dojčenských fliaš a pohárov s detskou výživou premiešajte alebo pretrepte a pred konzumáciou skontrolujte teplotu, aby ste predišli popáleniu.

7. Vajcia v škrupine a celé natvrdo uvarené vajcia sa nesmú ohrievať v mikrovlnných rúrach, pretože môžu explodovať aj po ukončení mikrovlnného ohrevu.

8. Neudržiavanie rúry v čistom stave môže viesť k poškodeniu povrchu, čo by mohlo nepriaznivo ovplyvniť životnosť spotrebiča a prípadne viesť k nebezpečnej situácii.

9. Spotrebič nesmie byť umiestnený v skrinke.

10. Pri vyberaní nádob zo spotrebiča dávajte pozor, aby ste neposunuli otočný tanier.

11. Spotrebič sa nesmie čistiť parným čističom.

12. Spotrebič nesmie byť inštalovaný 900 mm nad podlahou alebo vyššie. Minimálna výška potrebného voľného priestoru nad horným povrchom rúry: 100 mm.

POZOR: Keď je spotrebič v prevádzke v kombinovanom režime, deti by mali rúru používať iba pod dohľadom dospelšej osoby z dôvodu vznikajúcich teplôt.



POZOR HORÚCI POVRCH

13. Ak je napájací kábel poškodený, musí ho vymeniť výrobca alebo jeho servisný zástupca alebo podobne kvalifikovaná osoba, aby sa predišlo nebezpečenstvu.

14. Tento spotrebič môžu používať deti vo veku od 8 rokov a staršie a osoby so zníženými fyzickými, zmyslovými alebo duševnými schopnosťami alebo nedostatkom skúseností a

znalostí, ak sú pod dohľadom alebo sú poučené o používaní spotrebiča bezpečným spôsobom a rozumejú súvisiace nebezpečenstvá.

15. Deti sa so spotrebičom nesmú hrať.

16. Čistenie a užívateľskú údržbu nesmú vykonávať deti bez dozoru.

17. Tento spotrebič je určený na použitie v domácnosti a na podobné účely, ako sú:

- kuchynské priestory pre zamestnancov v obchodoch, kanceláriách a iných pracovných prostrediach;
- farmárske domy;
- klientmi v hoteloch, motelloch a iných prostrediach rezidenčného typu;
- prostredie typu nocľah s raňajkami. Spotrebiče nie sú určené na ovládanie pomocou externého časovača alebo samostatného systému diaľkového ovládania

18. Po použití nevkładajte studenú vodu priamo do sklenenej dosky. Je potrebné umiestniť sklenenú dosku aspoň na 20 minút a potom ju vložiť do vody, aby nedošlo k prasknutiu.

19. Spotrebič skupiny 2 triedy B

Zariadenia ISM skupiny 2: Skupina 2 obsahuje všetky zariadenia ISM, v ktorých sa zámerne generuje a/alebo používa rádiový frekvenčná energia vo forme elektromagnetického žiarenia na úpravu materiálu a zariadenia na elektroerozívne zváranie a oblúkové zváranie.

Zariadenie triedy B je zariadenie vhodné na použitie v domácnostiach a v zariadeniach priamo pripojených k nízkonapäťovej napájacej sieti, ktorá zásobuje budovy používané na domáce účely.

20. Vnútorňý zdroj svetla tohto produktu LED svieti < 60lm.

21. „Aby bol výrobok v súlade s normou EN 61000-3-11, musí byť pripojený iba k zdroju s impedanciou systému: $Z_{sys} = 0,40089$ ohmov alebo menej. Pred pripojením produktu k verejnej napájacej sieti sa poraďte s miestnym úradom pre napájanie, aby ste sa uistili, že napájacia sieť spĺňa vyššie uvedené požiadavky.“


22. Po zapojení alebo dokončení prevádzky spotrebič prejde do režimu vypnutia, režim vypnutia: < 0,3W.

INŠTALÁCIA

1. Vyberte všetky obaly. Ak je na rúre ochranný film, pred použitím ho odtrhnite. Starostlivo skontrolujte, či nedošlo k poškodeniu. Ak existuje, ihneď informujte predajcu alebo zašlite do servisného strediska výrobcu.
2. Mikrovlnné rúry musia byť umiestnené v suchom a nekorozívnom prostredí, chránené pred teplom a vlhkosťou, ako je plynový horák alebo nádrž na vodu.
3. Aby sa zabezpečilo dostatočné vetranie, vzdialenosť zadnej časti mikrovlnky od steny by mala byť aspoň 10 cm, strana k stene by mala byť aspoň 5 cm, voľná vzdialenosť nad hornou plochou aspoň 20 cm. vzdialenosť mikrovlnky od zeme by mala byť aspoň 85 cm.
4. Rúra musí byť umiestnená tak, aby bola ďaleko od TV, rádia alebo antény, pretože môže dochádzať k rušeniu obrazu alebo šumu. Vzdialenosť by mala byť väčšia ako 5 m.
5. Spotrebič musí byť umiestnený tak, aby bola zástrčka prístupná a musí zabezpečiť dobré uzemnenie v prípade úniku, môže sa vytvoriť uzemňovacia slučka, aby sa zabránilo úrazu elektrickým prúdom.
6. Mikrovlnná rúra musí byť prevádzkovaná so zatvorenými dvierkami.
7. Mikrovlnná rúra nesmie byť umiestnená v skrinke. Mikrovlnná rúra je určená na používanie ako voľne stojaca.
8. Keďže na vnútornom priestore rúry alebo na vykurovacom telese zostali zvyšky z výroby alebo olej, zvyčajne bude cítiť zápach, dokonca aj mierny dym. Je to normálny prípad a po viacnásobnom použití sa to nestane, dvierka alebo okno nechajte otvorené. zabezpečiť dobré vetranie. Preto sa dôrazne odporúča umiestniť do dutiny šálku vody, nastaviť na vysoký výkon a niekoľkokrát spustiť.

ČISTENIE

STAROSTLIVOSŤ O MIKROVLNNÚ RÚRU

 **CAUTION** Rúru by ste mali pravidelne čistiť a odstraňovať všetky zvyšky jedla.

 **WARNING**

a. Pred čistením vyťahnite napájací kábel zo sieťovej zásuvky. Po ochladení produktov. Pri čistení neponárajte spotrebič do vody alebo iných tekutín.

b. Neudržiavanie rúry v čistom stave môže viesť k poškodeniu povrchu, čo môže nepriaznivo ovplyvniť životnosť spotrebiča a prípadne viesť k nebezpečnej situácii.

c. Na čistenie žiadnej časti spotrebiča nikdy nepoužívajte tvrdý čistiaci prostriedok, benzín, brúsny prášok alebo kovovú kefu.

d. Neodstraňujte kryt vlnovodu.

e. Keď bola mikrovlnná rúra používaná dlhší čas, môžu sa v rúre vyskytovať zvláštne pachy, ktorých sa môžete zbaviť nasledujúcimi 3 spôsobmi:

- 1) Vložte niekoľko plátkov citróna do šálky a potom zohrievajte pri vysokom mikro výkone 2-3 minúty.
- 2) Vložte šálku červeného čaju do rúry a potom ho zohrejte vysokým mikro výkonom.
- 3) Vložte trochu pomarančovej kôry do rúry a potom ich zohrejte pri vysokom mikro výkone 1 minútu.

f. Keď sa výrobok nepoužíva, mal by byť umiestnený v suchých a čo najlepšie vetraných priestoroch.

 **WARNING**

Podrobnosti o čistení povrchov, ktoré sú v kontakte s potravinami: Po použití utrite kryt vlnovodu vlhkou handričkou a potom suchou handričkou, aby ste odstránili všetky striekance jedla a mastnotu. Nahromadená mastnota sa môže prehriať a začať dymiť alebo sa vznietiť.

TIPY NA ČISTENIE

Details for cleaning door seals, cavity and adjacent parts:

Exteriér:

Kryt utrite navlhčenou mäkkou handričkou

Dvere:

Dvere a okno utrite navlhčenou mäkkou handričkou

Utrite tesnenie dvierok a prilahlé časti, aby ste odstránili akékoľvek rozliatie alebo postriekanie

Ovládací panel utrite mierne navlhčenou mäkkou handričkou

Vnútoré steny:

Vnútoré povrchy utrite navlhčenou mäkkou handričkou

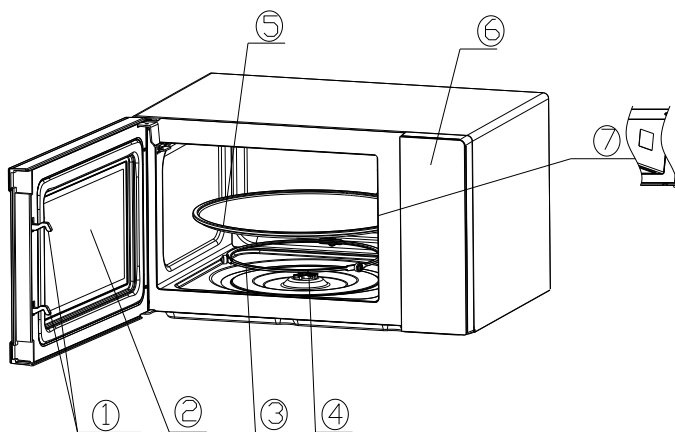
Utrite dočista kryt vlnovodu, aby ste odstránili postriekané jedlo

Otočný tanier / Otočný krúžok / Os otáčania:

Umyte jemnou mydlovou vodou.

Opláchnite čistou vodou a nechajte dôkladne vyschnúť.

NÁVOD K VÝROBKU



1) Zámok na dverách

Dvierka mikrovlnnej rúry musia byť správne zatvorené, aby fungovala.

2) Zobrazovacie okno

Umožnite používateľovi vidieť stav varenia

3) Otočný krúžok

Sklenený otočný tanier sedí na kolieskach; podopiera otočný tanier a pomáha mu vyrovnať sa pri otáčaní

4) Rotačná os

Sklenený otočný tanier sedí na osi; motor pod ním poháňa otočný tanier do otáčania

5) Gramofón

Jedlo sedí na otočnom tanieri, jeho otáčanie počas prevádzky napomáha rovnomernému vareniu jedla

CAUTION

- Najprv umiestnite otočný krúžok
- Nasadte otočný tanier na os otáčania a uistite sa, že je správne zaradený

6) Ovládací panel

Podrobnosti nájdete nižšie (ovládací panel sa môže zmeniť bez predchádzajúceho upozornenia)

7) Grilovací rošt

Používa sa na umiestnenie pečeného jedla.

8) Kryt vlnovodu

Nachádza sa vo vnútri mikrovlnnej rúry, vedľa steny ovládacieho panela.

WARNING

Nikdy neodstraňujte kryt vlnovodu

OBSLUHA OVLÁDACIEHO PANELU

<p>The diagram illustrates the control panel layout. It features two rotary dials and a button. The top dial is used for temperature selection, with markings at 0, 1, 2, 3, 4, 5, 10, 15, 20, 25, and 30. The bottom dial is used for mode selection, with markings for defrost (snowflake and drop), low (1 wavy line), medium (2 wavy lines), high (3 wavy lines), grill (4 wavy lines), and kombi modes (1, 2, 3). A button with a flame icon is located at the bottom of the panel.</p>		Moc
		Čas
		Nízka
		Rozmrazovať
		Stredná
		Stredne vysoko
		Vysoká
		Gril
		Kombi 1
	Kombi 2	
	Kombi 3	

1. NASTAVENIE HODÍN

Maximálne nastavenie je 30 minút, na konci je vyzváňací tón a gombík sa vráti do polohy „0“.

2. FUNKCIA MIKROVLN

1.	Nízka	18% výstupný výkon. Udržovať v teple.
2.	Rozmrazovať	36% výstupný výkon. Rozmrazovať.
3.	Stredná	58% výstupný výkon. Pomalé varenie.
4.	Stredne vysoko	81% výstupný výkon. Normálne varenie.
5.	Vysoká	100% výstupný výkon. Rýchle varenie.
6.	Gril	Je napájaný iba vykurovací článok.
7.	Kombi 1	30 % času prevádzky magnetrónu je napájaný a 70 % času, keď je napájaný vykurovací článok. Je vhodný na pečenie kotletiek, sendvičov a pod.
8.	Kombi 2	49 % času prevádzky magnetrónu je napájaný a 51 % času zapnutia vykurovacieho telesa. Je vhodný na grilovanie malých kurčiat a mäsa.
9.	Kombi 3	67 % času prevádzky magnetrónu je napájaný a 33 % času zapnutia vykurovacieho telesa. Je vhodný na grilovanie veľkých kurčiat, kačíc a pod.

Below is some food defrosting time advice:

No.	Hmotnosť (g)	Čas rozmrazovania
1	250g	Asi 4 minúty
2	500g	Asi 8 minút
3	750g	Asi 12 minút

PREVÁDZKA

1) Pripojte kábel

-Pred pripojením kábla sa uistite, že je časovač nastavený do polohy „0“.

- Neblokujte vetranie.

2) Položte jedlo na sklenený otočný tanier a zatvorte dvierka

- Jedlo sa musí nachádzať v nádobe.

- Mikrovlnnú rúru neprevádzkujte bez náplne, inak dôjde k poškodeniu mikrovlnnej rúry.

3) Zvoľte požadovanú úroveň mikrovlnného výkonu

4) Nastavte časovač

Ak je požadovaný čas kratší ako 2 minúty, otočte ovládač mikrovlnného výkonu do polohy viac ako 3 minúty a potom ho otočte späť na požadované nastavenie času.

5) Po nastavení požadovaného času sa začne varenie. Ak je potrebná prestávka uprostred, jednoducho kedykoľvek otvorte dvierka a zatvorte ich, aby sa obnovila prevádzka.

6) Keď uplynie čas a skončí sa varenie, mikrovlnná rúra zazvoní, vnútorná lampa sa tiež automaticky vypne.

Ak jedlo vyberiete pred uplynutím časového limitu, nezabudnite nastaviť časovač späť do polohy „0“, aby sa zabránilo prevádzke

mikrovlnej rúry s prázdnu náplňou.

7) Pri vyberaní uvareného jedla z rúry sa odporúča nosiť rukavice a dávať pozor, aby ste sa nedotkli steny dutiny.

CAUTION

Rýchle ohrievanie jedla, zvyčajne iba 2 až 3 minúty, ovládanie za 5 minút. Vždy dávajte pozor na stav varenia jedla a upravte ho podľa vašej chuti. Zabráňte prehriatiu. Pri ohrievaní kaše by sa mala kaša najskôr rovnomerne premiešať a potom prikryť plastovou fóliou (rohы nechať na vetranie) alebo vyhrievať veko s perforáciou.

V polovici času rozmrazovania otvorte dvierka, aby ste jedlo otočili, aby bol efekt rozmrazovania rovnomernejší.

NÁVOD NA NÁDOBIE

V závislosti od spôsobu varenia je potrebné zvoliť bezpečnú a vhodnú nádobu. Ak nie je správne zvolený, ovplyvní to nielen efekt varenia, ale spôsobí aj poškodenie nádoby alebo mikrovlnej rúry. Informácie o použití nájdete v tabuľke nižšie:

Materiál nádoby	Mikrovlnná rúra	Gril	Combi	Poznámky
Tepelne odolná keramika	Áno	Áno	Áno	Nikdy nepoužívajte keramiku, ktorá je ozdobená kovovým lemom alebo glazovaná
Tepelne odolný plast	Áno	Nie	Nie	Nedá sa použiť na dlhodobé varenie v mikrovlnej rúre
Tepelne odolné sklo	Áno	Áno	Áno	

Plastová fólia	Áno	Nie	Nie	Nemal by sa používať pri varení mäsa alebo kotletiek, pretože nadmerná teplota môže poškodiť fóliu
Grilovací rošt	Nie	Áno	Áno	Grilovací rošt možno použiť iba v režime grilovania a kombinovanom režime.
Kovová nádoba	Nie	Nie	Nie	Nesmie sa používať v mikrovlnnej rúre. Mikrovlnná rúra nemôže preniknúť cez kov.
Lak	Nie	Nie	Nie	Slabá tepelná odolnosť. Nedá sa použiť na varenie pri vysokej teplote
Bambusové drevo a papier	Nie	Nie	Nie	Slabá tepelná odolnosť. Nedá sa použiť na varenie pri vysokej teplote

TIPY NA VARENIE

Nasledujúce faktory môžu ovplyvniť výsledok varenia:

Usporiadanie jedla

Umiestnite hrubšie miesta smerom von z misky, tenšiu časť smerom k stredu a rovnomerne rozotrite. Ak je to možné, neprekrývajte sa.

Dĺžka času varenia

Začnite varenie s krátkym nastavením času, po uplynutí času ho vyhodnoťte a predĺžte podľa skutočnej potreby. Prevarenie môže spôsobiť dym a popáleniny.

Varenie jedla rovnomerne

Jedlo, ako je kura, hamburger alebo steak, by ste mali počas varenia raz obrátiť.

V závislosti od typu jedla, ak je to vhodné, počas varenia ho raz alebo dvakrát premiešajte zvonku do stredu riadu.

Nechajte stáť

Po uplynutí času varenia nechajte jedlo v rúre dostatočne dlho, aby mohol dokončiť cyklus varenia a postupne ho ochladzovať.

Či je jedlo hotové

Farba a tvrdosť jedla pomáhajú určiť, či je hotové, medzi ne patria:

- Para vychádza zo všetkých častí jedla, nielen z okraja
- Kíby hydiny sa dajú ľahko pohybovať
- Bravčové alebo hydinové mäso nevykazuje žiadne známky krvi
- Ryba je nepriehľadná a dá sa ľahko nakrájať vidličkou

Zhnednutá miska

Keď používate nádobu na hnednutie alebo samoohrievaciu nádobu, vždy pod ňu umiestnite tepelne odolný izolátor, napríklad porcelánový tanier, aby ste predišli poškodeniu otočného taniera a otočného prstenca.

Plastový obal vhodný do mikrovlnnej rúry

Pri varení jedla s vysokým obsahom tuku nedovoľte, aby sa plastový obal dostal do kontaktu s jedlom, pretože by sa mohol roztopiť.

Plastový riad vhodný do mikrovlnnej rúry

Niektoré plastové nádoby vhodné do mikrovlnnej rúry nemusia byť vhodné na varenie jedál s vysokým obsahom tuku a cukru. Taktiež nesmie byť prekročený čas predohrevu uvedený v návode na obsluhu riadu.

ÚDRŽBA

SERVIS

Pred zavolaním servisu skontrolujte nasledujúce.

1. Vložte jednu šálku vody (približne 150 ml) do sklenenej

odmerky do rúry a pevne zatvorte dvierka. Osvetlenie rúry by malo zhasnúť, ak sú dvierka správne zatvorené. Rúru necháme pracovať 1 min.

2. Svieti lampa v rúre?

3. Funguje chladiaci ventilátor?

(Položte ruku na zadné vetracie otvory.)

4. Otáča sa otočný tanier?

(Otočný tanier sa môže otáčať v smere alebo proti smeru hodinových ručičiek. Je to celkom normálne.)

5. Je voda vo vnútri rúry horúca?

Ak je odpoveďou na niektorú z vyššie uvedených otázok „NIE“, skontrolujte si zásuvku a poistku v skrinke s elektromerom.

Ak zásuvka aj poistka fungujú správne, **KONTAKTUJTE NAJBLIŽŠIE SCHVÁLENÉ SERVISNÉ STREDISKO.**

Správna likvidácia tohto produktu



Toto označenie znamená, že tento výrobok by sa nemal likvidovať spolu s ostatným domovým odpadom v celej EÚ. Aby ste predišli možnému poškodeniu životného prostredia alebo ľudského zdravia v dôsledku nekontrolovanej likvidácie odpadu, recyklujte ho zodpovedne, aby ste podporili udržateľné opätovné využitie materiálnych zdrojov. Ak chcete vrátiť použité zariadenie, použite systém vrátenia a zberu alebo kontaktujte predajcu, u ktorého ste výrobok zakúpili. Môžu vziať tento výrobok na ekologicky bezpečnú recykláciu.

OBMEDZENÁ ZÁRUKA

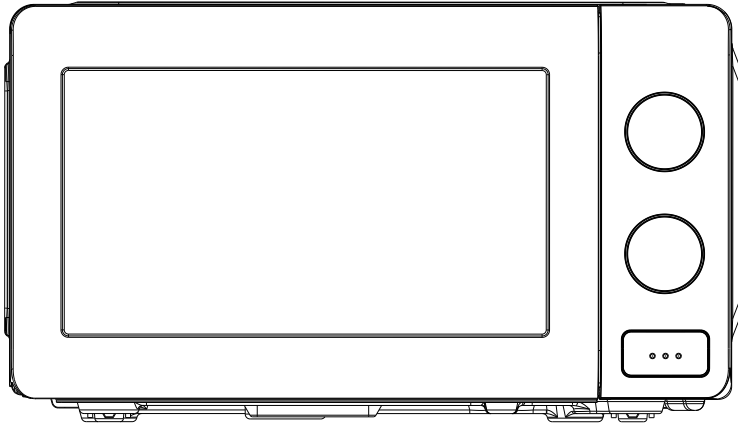
Táto záruka sa vydáva na obdobie 2 (Dva) rokov, počítané od dátumu zakúpenia Zariadenia, ale nie dlhšie ako 5 (Päť) rokov od dátumu výroby. Táto záruka dopĺňa ústavné práva spotrebiteľov a nijako ich neobmedzuje. Záručný servis Zariadenia bude poskytovaný len pri dôslednom dodržaní prevádzkového poriadku a bezpečnostných požiadaviek uvedených v sprievodnej dokumentácii Zariadenia.

Online podporu a ďalšie užitočné informácie nájdete na <https://service.uniondistribution.eu>



ІНСТРУКЦІЯ КОРИСТУВАЧА

ЗБЕРЕЖІТЬ ЦЮ ІНСТРУКЦІЮ



ВАЖЛИВО!

ПОПЕРЕДЖЕННЯ: Якщо дверцята або ущільнювачі дверцят пошкоджені, піч не можна використовувати, доки її не відремонтує сервісний центр.

ПОПЕРЕДЖЕННЯ: Виконання будь-яких операцій з обслуговування або ремонту, які передбачають зняття будь-якої кришки, що захищає від впливу мікрохвильової енергії, є небезпечним для будь-кого, крім сервісного центру.

ПОПЕРЕДЖЕННЯ: Рідини чи іншу їжу не можна нагрівати в герметичних контейнерах, оскільки вони можуть вибухнути.

1. Використовуйте лише той посуд, який підходить для використання в мікрохвильовій печі.
2. Під час приготування в мікрохвильовій печі заборонено використовувати металеві контейнери для їжі та напоїв.
3. Під час розігрівання їжі в пластикових або паперових контейнерах слідкуйте за приладом через можливість

загоряння.

4. Мікрохвильова піч призначена для розігрівання їжі та напоїв. Сушка їжі чи одягу та нагрівання грілок, губок, вологої тканини тощо може призвести до ризику травм, займання або пожежі.

5. Якщо ви бачите дим, вимкніть або від'єднайте прилад від мережі та закрийте дверцята, щоб загасити полум'я. Нагрівання напоїв у мікрохвильовій печі може призвести до уповільненого вибухового кипіння, тому поведіться обережно.

6. Вміст пляшечок для годування та баночок з дитячим харчуванням необхідно перемішати або збовтати, а також перевірити температуру перед вживанням, щоб уникнути опіків.

7. Яйця в шкаралупі та цілі зварені круто яйця не можна нагрівати в мікрохвильовій печі, оскільки вони можуть вибухнути навіть після завершення нагрівання.

8. Недотримання приладу в чистому стані може призвести до псування поверхні, що може негативно вплинути на термін служби приладу та, можливо, призвести до небезпечної ситуації.

9. Прилад не можна розміщувати в шафі.

10. Будьте обережні, щоб не зрушити поворотну платформу, коли виймаєте контейнери з приладу.

11. Прилад не можна чистити за допомогою пароочищувача.

12. Прилад не можна встановлювати на рівні або вище ніж 900 мм над підлогою. Мінімальна висота вільного простору над верхньою поверхнею духовки: 100 мм.

Попередження: коли прилад працює в комбінованому режимі, діти повинні використовувати піч лише під наглядом дорослих через температуру, що створюється.



УВАГА: ГАРЯЧА ПОВЕРХНЯ

13. Якщо шнур живлення пошкоджено, його має замінити

виробник, його сервісний агент або особа з аналогічною кваліфікацією, щоб уникнути небезпеки.

14. Цим пристроєм можуть користуватися діти віком від 8 років і особи з обмеженими фізичними, сенсорними чи розумовими здібностями або з недостатнім досвідом і знаннями, якщо вони перебувають під наглядом або отримали інструкції щодо безпечного використання пристрою та розуміють небезпеки.

15. Діти не повинні гратися з пристроєм.

16. Чищення та технічне обслуговування користувачами не повинні виконуватися дітьми без нагляду.

17. Цей прилад призначений для використання в домашньому господарстві та подібних додатках, таких як: кухні персоналу в магазинах, офісах та інших робочих середовищах; фермерські будинки; клієнтами в готелях, мотелях та інших житлових приміщеннях; проживання типу "ліжко та сніданок". Прилади не призначені для керування за допомогою зовнішнього таймера або окремої системи дистанційного керування

18. Не наливайте холодну воду безпосередньо в скляну тарілку після використання. Потрібно залишити скляну пластину принаймні на 20 хвилин, а потім опустити її у воду, щоб уникнути розтріскування.

19. Прилад групи 2 класу В

Обладнання ISM групи 2: група 2 містить усе обладнання ISM, в якому радіочастотна енергія навмисно генерується та/або використовується у формі електромагнітного випромінювання для обробки матеріалу, а також електроерозійне та електрозварювальне обладнання.

Обладнання класу В – це обладнання, придатне для використання в домашніх установах і в установах, безпосередньо підключених до мережі електропостачання низької напруги, яка живить будівлі, що використовуються для побутових потреб.

20. Внутрішнє джерело світла цього виробу світлодіодне

світло на < 60 лм.

21. «Щоб відповідати стандарту EN 61000-3-11, виріб слід підключати лише до джерела живлення з опором системи: $|Z_{sys}| = 0,40089$ Ом або менше. Перш ніж підключати виріб до громадської електромережі, проконсультуйтеся з місцевим органом електропостачання, щоб переконатися, що електромережа відповідає вищевказаним вимогам».

22. Після підключення або завершення роботи прилад переходить у режим вимкнення, режим вимкнення: <0,3 Вт.

ВСТАНОВЛЕННЯ

1. Вийміть всю упаковку. Якщо на духовці є безпечна плівка, зірвіть її перед використанням. Ретельно перевірте на наявність пошкоджень. Якщо є, негайно повідомте дилера або відправте в сервісний центр виробника.

2. Мікрохвильові печі слід розміщувати в сухому та неагресивному середовищі, подалі від тепла та вологи, наприклад, газового пальника або резервуара для води.

3. Щоб забезпечити достатню вентиляцію, відстань між задньою стороною мікрохвильової печі та стіною має бути не менше 10 см, стороною до стіни має бути не менше 5 см, вільна відстань над верхньою поверхнею не менше 20 см. Відстань від мікрохвильовки до землі має бути не менше 85 см.

4. Розташуйте піч так, щоб вона була далеко від телевізора, радіо чи антени, оскільки можуть спотворюватися зображення або виникати шум. Відстань повинна бути більше 5 м.

5. Прилад має бути розташований так, щоб була доступна вилка, і має бути забезпечене хороше заземлення у випадку витоку, контур заземлення, щоб уникнути ураження електричним струмом.

6. Мікрохвильова піч повинна працювати із закритими дверцятами.

7. Мікрохвильову піч не можна ставити в шафу. Мікрохвильова піч призначена для використання окремо.

8. Оскільки на камері духової шафи чи нагрівальному елементі залишилися виробничі залишки або масло, зазвичай відчувається запах, навіть легкий дим. Це нормальний випадок і виникає після кількох разів використання, тримайте двері чи вікно відкритими, щоб забезпечити хорошу вентиляцію. Тому рекомендується помістити чашку з водою, встановити високу потужність і ввімкнути кілька разів.

ОЧИЩЕННЯ

ДОГЛЯД ЗА МІКРОХВИЛЬОВОЮ ПІЧЧЮ



CAUTION

Піч слід регулярно чистити та видаляти залишки їжі.



WARNING

- a. Перед чищенням вийміть шнур живлення з розетки. Після дайте приладу охолонути. Під час чищення не занурюйте прилад у воду чи інші рідини.
- b. Недотримання духовки в чистому стані може призвести до псування поверхні, що може негативно вплинути на термін служби приладу та, можливо, призвести до небезпечної ситуації.
- c. Ніколи не використовуйте твердий миючий засіб, бензин, абразивний порошок або металеву щітку для очищення будь-якої частини приладу.
- d. Не знімайте кришку.
- e. Якщо мікрохвильова піч використовувалася протягом тривалого часу, у духовці можуть з'явитися деякі дивні запахи, наступні 3 методи можуть позбутися їх:
 - 1) Помістіть кілька скибочок лимона в чашку, потім нагрійте на високій потужності протягом 2-3 хвилин.
 - 2) Поставте чашку червоного чаю в духовку, а потім нагрійте її на високій потужності.
 - 3) Помістіть трохи апельсинової цедри в духовку, а потім нагрійте їх на високій потужності протягом 1 хвилини.
- f. Коли виріб не використовується, його слід розміщувати в сухих і провітрюваних приміщеннях, наскільки це

МОЖЛИВО.

WARNING

Подробиці очищення поверхонь, які контактують з їжею:
Після використання протріть кришку вологою тканиною, а потім сухою тканиною, щоб видалити бризки їжі та жир. Накопичене масло може перегрітися і почати димити або спалахнути.

ПОРАДИ ЩОДО ОЧИЩЕННЯ

Деталі для очищення дверних ущільнювачів та прилеглих частин:

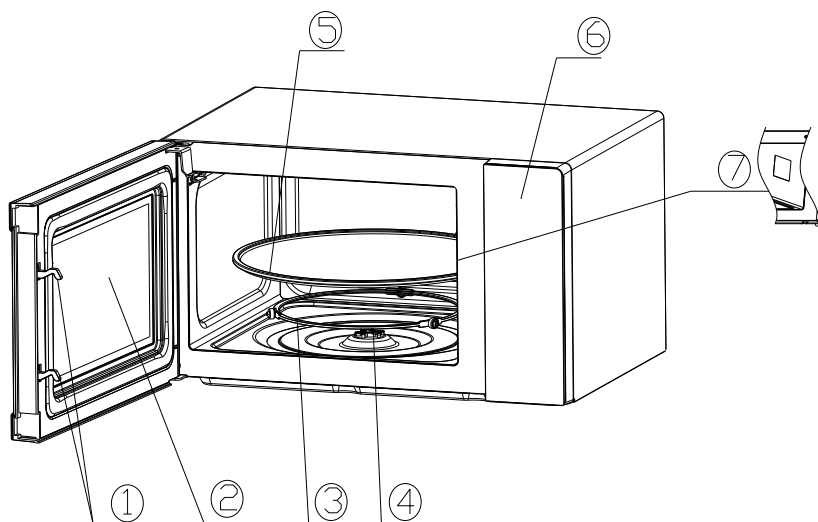
Корпус: Протріть корпус зволоженою м'якою тканиною.

Дверцята: За допомогою зволоженої м'якої тканини протріть дверцята та скло. Протріть ущільнювачі дверцят і прилеглі частини, щоб видалити будь-які бризки. Протріть панель керування злегка зволоженою м'якою тканиною.

Внутрішні стінки: Протріть внутрішні поверхні зволоженою м'якою тканиною. Протріть кришку, щоб видалити бризки їжі.

Поворотний стіл / кільце обертання / вісь обертання: Вимийте водою з м'яким милом. Промийте чистою водою та дайте добре висохнути.

ІНСТРУКЦІЯ



1) Замок

Дверцята мікрохвильової печі повинні бути належним чином закриті, щоб вона працювала.

2) Оглядове вікно

Дозволити користувачеві бачити статус приготування.

3) Кільце, що обертається

Скляна вертушка на колесах; яку підтримує поворотний стіл і допомагає йому балансувати під час обертання.

4) Вісь обертання

Скляна вертушка знаходиться на осі; двигун під ним приводить поворотний стіл до обертання.

5) Поворотний стіл

Їжа знаходиться на поворотній платформі, її обертання під час роботи сприяє рівномірному приготуванню їжі.

CAUTION

- Спершу встановіть обертове кільце
- Встановіть поворотний стіл на вісь обертання та переконайтеся, що він правильно зачеплений

6) Панель управління

Детальніше дивіться нижче (панель керування може бути змінена без попереднього повідомлення).

7) Решітка для гриля

Використовуйте для розміщення продуктів для смаження.

8) Кришка

Знаходиться всередині мікрохвильової печі, біля стінки панелі керування.

WARNING

Ніколи не знімайте кришку.

ПАНЕЛЬ КЕРУВАННЯ

		Потужність
		Таймер
		Низька
		Розморожування
		Середня
		Середньо Висока
		Висока
		Гриль
		Комбінований режим 1
	Комбінований режим 2	
	Комбінований режим 3	

1. НАЛАШТУВАННЯ ТАЙМЕРУ

Максимальний час – 30 хвилин, в кінці звучить мелодія, ручка повертається в положення «0».

2. ФУНКЦІЇ МІКРОХВИЛЬОВКИ

1.	Низький	18% потужності. Тримати теплим.
2.	Розморожування	36% потужності. Розморожування.
3.	Середній	58% потужності. Повільне варіння.
4.	Середній Високий	81% потужності. Звичайне приготування.
5.	Високий	100% потужність. Швидке приготування.
6.	Гриль	Під напругою знаходиться лише нагрівальний елемент.
7.	Комбі 1	30% часу роботи магнетрон знаходиться під напругою і 70% часу нагрівальний елемент знаходиться під напругою. Підходить для смаження відбивних, бутербродів тощо.
8.	Комбі 2	49% часу роботи магнетрон знаходиться під напругою і 51% часу на нагрівальний елемент. Підходить для запікання маленьких курчат і м'яса.
9.	Комбі 3	67% часу роботи магнетрон знаходиться під напругою і 33% часу на нагрівальний елемент. Підходить для смаження великих курей, качок тощо.

Нижче наведено деякі поради щодо часу розморожування їжі:

No.	Вага (г)	Час розморожування
1	250г	Приблизно 4 хвилини
2	500г	Приблизно 8 хвилин
3	750г	Приблизно 12 хвилин

ЕКСПЛУАТАЦІЯ

1) Підключіть шнур

- Перед підключенням шнура переконайтеся, що таймер встановлено в положення «0».
- Не блокуйте вентиляцію.

2) Покладіть їжу на скляний поворотний тарілок і закрийте дверцята

- Їжа повинна міститися в посуді.
- Не використовуйте мікрохвильову піч без навантаження, інакше це може пошкодити мікрохвильову піч.

3) Виберіть потрібний рівень потужності

4) Встановіть таймер

Якщо потрібний час менше 2 хвилин, поверніть ручку потужності мікрохвильової печі в положення понад 3 хвилини, а потім поверніть її назад до бажаного налаштування часу.

5) Після встановлення потрібного часу починається приготування. Якщо потрібна пауза посередині, просто відкрийте дверцята в будь-який момент і закрийте їх, щоб відновити роботу.

6) Коли закінчиться час і приготування, ви почуєте сигнал і, внутрішня лампа автоматично вимкнеться.

Якщо їжу вийняли до завершення часу очікування, обов'язково встановіть таймер на «0», щоб мікрохвильова піч не працювала без завантаження.

7) Рекомендується надягати рукавички, коли виймаєте готову їжу з приладу, і будьте обережні, щоб не торкатися стінок.

CAUTION

Швидке нагрівання їжі, як правило, лише 2-3 хвилини, будь ласка, регулюйте протягом 5 хвилин. Будь ласка, зверніть увагу на стан приготування їжі і регулюйте його відповідно до ваших смакових уподобань. Уникайте перегріву. При розігріванні каші, відвару, спочатку рівномірно перемішати, а потім накрити поліетиленовою плівкою (залишити кути для вентиляції) або накрити перфорованою кришкою.

У середині часу розморожування відкрийте дверцята, щоб перевернути їжу, щоб ефект розморожування був більш рівномірним.

Рекомендації щодо посуду

Наполегливо рекомендується використовувати контейнери, придатні та безпечні для приготування в мікрохвильовій печі. Загалом, для приготування в мікрохвильовій печі придатні контейнери, виготовлені з термостійкої кераміки, скла або пластику. Ніколи не використовуйте металеві контейнери для приготування їжі в мікрохвильовій печі та комбінованого приготування їжі, тому що може виникнути іскра. Ви можете взяти посилання на таблицю нижче:

Матеріал контейнера	Мікро-хвили	Гриль	Комбі режим	Нотатки
Термостійка кераміка	Так	Так	Так	Ніколи не використовуйте кераміку, прикрашену металевими обідками або глазурану

Термостійкий пластик	Так	Ні	Ні	Не можна використовувати для тривалого приготування в мікрохвильовій печі
Термостійке скло	Так	Так	Так	
Поліетиленова плівка	Так	Ні	Ні	Не можна використовувати для приготування м'яса або відбивних, оскільки перегрівання може пошкодити плівку
Сійка для гриля	Ні	Так	Так	Решітку для гриля можна використовувати лише в режимі гриль і в комбінованому режимі.
Металевий контейнер	Ні	Ні	Ні	Не можна використовувати в мікрохвильовій печі. Мікрохвилі не можуть проникати крізь метал.
Лак	Ні	Ні	Ні	Погана термостійкість. Не можна використовувати для приготування при високій температурі
Бамбукове дерево і папір	Ні	Ні	Ні	Погана термостійкість. Не можна використовувати для приготування при високій температурі

ПОРАДИ ГОТУВАННЯ

Наступні фактори можуть вплинути на результат приготування:

Рівномірне нагрівання

Помістіть більш товсті ділянки на зовнішню сторону тарілки, а тоншу – до центру та рівномірно розподіліть. Не перекривайте, якщо це можливо.

Тривалість приготування

Почніть приготування з короткого налаштування часу, оцініть його після закінчення часу та подовжте відповідно до

фактичної потреби. Надмірне приготування може призвести до диму та опіків.

Рівномірне приготування їжі

Таку їжу, як курка, гамбургер або стейк, слід перевернути один раз під час приготування.

Залежно від типу їжі, якщо це можливо, перемішайте її ззовні до центру страви один або два рази під час приготування.

Дайте постояти

Після закінчення часу приготування залиште їжу в духовці на достатній час, це дозволить завершити цикл приготування та поступово охолодити її

Чи готова їжа

Колір і твердість їжі допомагають визначити, чи готова вона, зокрема:

- Пара виходить з усіх частин їжі, а не лише з країв
- Суглоби птиці можна легко рухати
- Свинина чи птиця не мають ознак крові
- Риба непрозора, її можна легко нарізати виделкою

Блюдо для підсмажування

Під час використання посуду для грилю, завжди кладіть під них термостійкий ізолятор, наприклад порцелянову тарілку, щоб запобігти пошкодженню поворотного столика та обертового кільця.

Пластикова упаковка, безпечна для мікрохвильовки

Готуючи їжу з високим вмістом жиру, не допускайте контакту пластикової плівки з їжею, оскільки вона може розплавитися

Пластиковий посуд для мікрохвильової печі

Деякий пластиковий посуд для мікрохвильової печі може не підійти для приготування їжі з високим вмістом жиру та цукру. Також не можна перевищувати час попереднього розігріву, вказаний в інструкції до страви.

ОБСЛУГОВУВАННЯ

Будь ласка, перевірте наступне, перш ніж звертатися до служби підтримки.

1. Помістіть одну чашку води (приблизно 150 мл) у скляну мірку в духовку та надійно закрийте дверцята. Якщо дверцята зачинені належним чином, лампа духовки повинна згаснути. Дайте духовці попрацювати 1 хв.
2. Чи світиться лампа духовки?
3. Чи працює вентилятор охолодження?
(Покладіть руку на задні вентиляційні отвори.)
4. Чи обертається поворотний столик?
(Поворотний столик може обертатися за або проти годинникової стрілки. Це цілком нормально.)
5. Вода в духовці гаряча?

Якщо «НІ» є відповіддю на будь-яке з наведених вище питань, будь ласка, перевірте розетку та запобіжник у коробці лічильників.

Якщо настінна розетка та запобіжник працюють належним чином, **ЗВЕРНІТЬСЯ ДО НАЙБЛИЖЧОГО СЕРВІСНОГО ЦЕНТРУ.**

Правильна утилізація цього продукту



Це маркування вказує на те, що цей виріб не можна викидати разом з іншими побутовими відходами на території ЄС. Щоб запобігти можливій шкоді навколишньому середовищу або здоров'ю людини через неконтрольовану утилізацію відходів, переробляйте їх відповідально, щоб сприяти сталому повторному використанню матеріальних ресурсів. Щоб повернути використаний пристрій, скористайтеся системами повернення та збору або зверніться до продавця, у якого було придбано продукт. Вони можуть взяти цей продукт на екологічно безпечну переробку.

ОБМЕЖЕНА ГАРАНТІЯ

Ця гарантія надається терміном на 2 (Два) роки, починаючи з дати придбання пристрою, але не більше ніж на 5 (П'ять) років з дати виробництва. Ця гарантія є доповненням до конституційних прав споживачів і жодним чином їх не обмежує. Гарантійне обслуговування Пристрою здійснюється тільки за умови суворого дотримання правил експлуатації та вимог безпеки, зазначених у супровідній документації до Пристрою.

Ви можете отримати онлайн-підтримку, та знайти іншу корисну інформацію на <https://service.uniondistribution.eu>



